

## STATEMENT OF LIABILITY

ALL FIREARMS ARE DANGEROUS and this pistol is distributed by Cobra Enterprises, Incorporated with the understanding that the purchaser assumes all liability resulting from unsafe handling or any action that constitutes a violation of any applicable laws and regulations. Firearms can cause serious injury and death. As a firearms owner you are responsible for the firearm's safety and security. ALWAYS KEEP SECURE FROM CHILDREN.

We strongly advise that you familiarize yourself with all the mechanisms of this or any firearm, before putting ammunition into it. Before loading or firing this pistol, make sure there are no obstructions in the barrel and wipe away all grease and *FOREIGN* materials from its bore.

## SAFETY

The Patriot 380/Patriot 9 are both Double Action Only. It has no manual safety and the hammer is never cocked. The design and the combined characteristics of the hammer, firing pin and their springs form a fail-safe safety system. It is also equipped with a load indicator, which is visible when a round is chambered (see detail).

*LOADING THE PISTOL:* After loading 10 rounds in the magazine, hold the pistol in one hand with the muzzle pointing in a safe direction and with your finger off the trigger and outside the trigger guard. Insert the loaded magazine into the grip until it is locked in place. Check to make sure magazine is secure. Pull slide back and release, if the slide is already back, press the slide stop down and allow slide to carry fully forward. This procedure places the first round into the chamber and the pistol is ready to fire. DANGER: Keep hands from the muzzle end at all times. DO NOT carry or store with a cartridge in the chamber until you are ready to shoot. Load indicator will be in the up position when loaded.

*UNLOADING WITHOUT FIRING:* Always point your pistol in a safe direction. Before attempting to unload your pistol, push magazine release until magazine can be removed from pistol. After magazine has been removed, pull slide back to extract round from the chamber. Keep fingers from trigger and muzzle. Visually inspect the chamber to make sure it is empty.

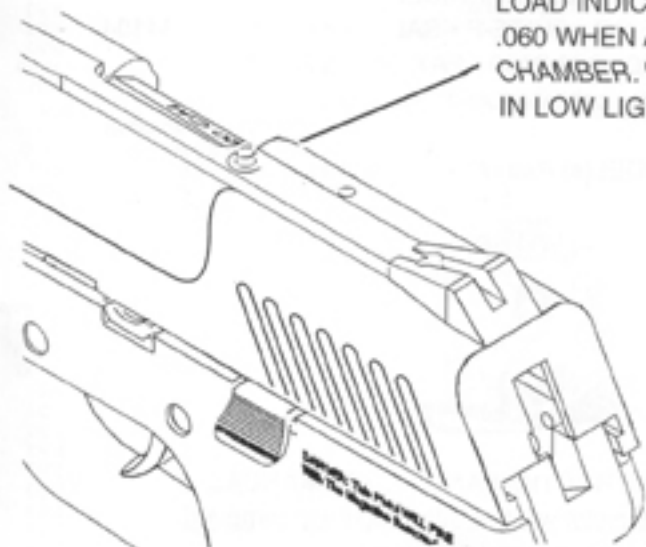
*DISASSEMBLY:* Unload your pistol. Pull the slide back and push up on the slide stop until slide is locked open. Using the rim of 9MM case, pull the retainer pin from the pistol. Push the barrel back. While holding slide, release the slide stop; allow the slide to slowly move forward off the frame. Remove recoil spring and barrel. No further disassembly is recommended. Do not rotate firing pin screw, it is factory adjusted.

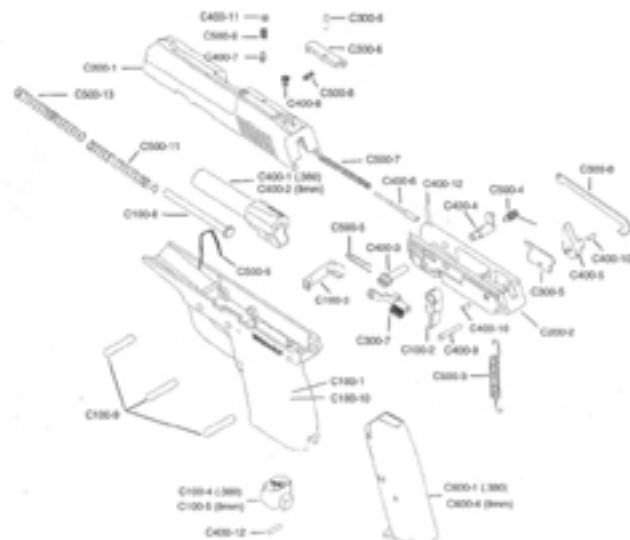
*ASSEMBLY:* Make sure the barrel and recoil spring are well centered when putting them back in the slide. Push the slide onto the frame and push up on the slide stop until slide is locked open. Allow barrel to fall completely forward. Look into the retainer pin hole and align that hole with the slot in the barrel. Insert the retainer pin and push the pin through until it engages with spring. Work slide a few times to check the action. *DO NOT DRY FIRE* the Patriot 380/Patriot 9 or any pistol.

**MAINTENANCE:** Your pistol is a precision instrument and to insure reliable service, it is important to follow a routine maintenance procedure. After shooting your pistol, following the procedure entitled "unloading" unload pistol, clean and oil

#### DETAIL OF LOAD INDICATOR

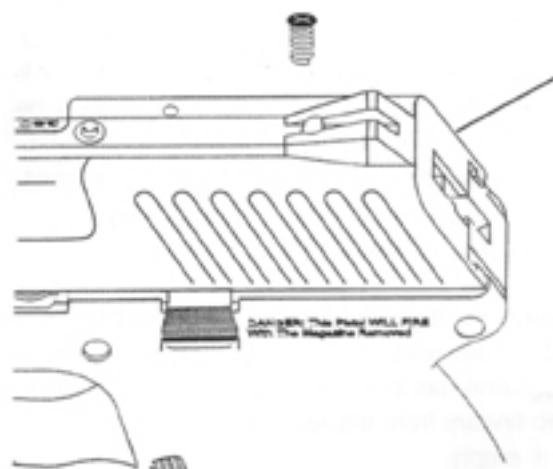
LOAD INDICATOR POPS UP APPROX. .060 WHEN A ROUND IS IN THE CHAMBER. EASY TO SEE OR FEEL IN LOW LIGHT.





C500-2	Recoil Spring .380	1.00
C500-4	Trigger Return Spring	1.50
C500-5	Retainer Spring	1.00
C500-6	Mag Catch Spring	1.50
C500-7	Firing Pin Spring	1.00
C500-8	Extractor Spring	1.00
C500-9	Load Indicator Spring	1.00
C500-13	Recoil Spring 9mm	1.00
C600-1	.380 Magazine	23.50
C600-4	9mm Magazine	23.50

C100-1	.380 Grip	5.00
C100-3	Mag Release	2.00
C100-4	.380 Main Spr Rtr	2.00
C100-5	9mm Main Spr Rtr	2.00
C100-6	Follower	2.50
C100-7	Follower, 9mm	2.50
C100-8	Guide Pin	1.50
C100-9	Assembly Pin	1.00
C100-10	9mm Grip	5.00
C200-1	Slide Assembly	50.00
(Includes: 300-6, 400-6, 400-8, 400-12, 500-7 & 500-8)		
C200-2	Frame	Not For Sale
C300-3	.380 Mag Base	1.50
C300-4	Mag Base, 9mm	1.50
C300-5	Ejector	1.50
C300-6	Extractor	3.00
C300-7	Slide Stop	3.50
C300-8	Trigger Bar	3.00
C300-12	Mag Lock	1.50
C400-1	.380 Barrel	19.50
C400-10	Hammer Spring Pin	.50
C400-11	Washer	1.00
C400-12	Extractor Pin	1.00
C400-2	Barrel, 9mm	19.50
C400-3	Retainer	3.50
C400-4	Cam	4.00
C400-5	Hammer	6.50
C400-6	Firing Pin	3.00
C400-7	Load Indicator	1.50
C400-8	Firing Pin Screw	1.50
C400-9	Hammer Pin	1.00
C500-1	.380 Mag Spring	2.00
C500-3	Main Spring	2.00
C500-10	9mm Fire. Pin Spr	1.00
C500-11	Small Recoil Spring	1.00
C500-12	Mag. Spring, 9mm	2.00



**DANGER:** DO NOT FACE THIS END. POINT THIS END AGAINST A STOP, WHEN REMOVING FIRING PIN.

**Warning:** FIRING PIN IS UNDER SPRING PRESSURE. DO NOT POINT AT FACE OR IN ANY DIRECTION THAT COULD INJURE YOU OR ANYONE IN THE AREA. FACE BACK OF SLIDE AWAY FROM YOU AGAINST A STOP WHILE DISASSEMBLING.

## SERVICE

Should your Patriot 380/Patriot 9 need adjustment or repair, it should be returned to the factory, *UNLOADED*. You may do so by shipping *PREPAID*, no return authorization number is needed. Include a letter with problem description, full name, address, phone number and the pistol's serial number. All payments are payable money order, check or credit card. RETURN TO:

**COBRA ENTERPRISES, INC. (SERVICE DEPARTMENT)**  
 1960 S. MILESTONE DR., SUITE-F, SALT LAKE CITY, UT 84104

- A) Learn how to safely use your firearm. NO person should handle ANY firearm without first becoming familiar with how to operate it safely. Read the manual until you understand how to operate the pistol safely.
- B) Always treat your pistol or any pistol as if it were loaded and ready to fire if the trigger were pulled.
- C) Always keep your finger off the trigger until you are ready to shoot.
- D) Always keep the muzzle pointed in a safe direction.
- E) Know your target and what is beyond it, shoot only where there is a safe back drop free of obstructions, water or other surfaces that can cause a ricochet.
- F) Never store your pistol in a loaded condition.
- G) Keep all firearms away from children. Always secure your firearm from children or unauthorized persons. Always store your unloaded firearm and the ammunition separately and in a secure place inaccessible to children.
- H) Use only the correct ammunition for your firearm.
- I) Make sure there are no obstructions in the barrel.
- J) Always wear eye and ear protection.
- K) Never use alcohol or drugs before or while shooting.

COBRA ENTERPRISES, INC.  
1960 S. MILESTONE DR., SUITE-F • SALT LAKE CITY, UT 84104  
PHONE: 801-908-8300 • FAX: 801-908-8301  
E-MAIL: [cobrapistols@networld.com](mailto:cobrapistols@networld.com)

MODEL(s) Patriot 380/Patriot 9



**SAFETY, INSTRUCTION AND PARTS MANUAL**  
**DANGER: This pistol will fire with magazine removed**  
[www.cobrapistols.com](http://www.cobrapistols.com)

# Firearm Accessories

Click on links below



**Sinclair** AMMUNITION

When you don't have time to load it yourself  
Quality ammunition at competitive prices [▶ SHOP NOW](#)

Remington CCI IMI FEDERAL PREMIUM

The advertisement features a man in a light-colored shirt and dark pants kneeling on a grassy field, looking towards a dog lying down. In the foreground, there are several boxes of ammunition, including Kent and Winchester brands. The background shows a line of trees under a clear sky.



**SAVE 10%** SITE WIDE  
**& FREE** FEDEX GROUND SHIPPING ON ORDERS OVER \$50

**GALLS**

The advertisement features a red and black tactical bag, a pair of black boots, and several stacks of ammunition boxes. The background is dark blue with a subtle pattern of small white dots.