

Warning: Read Safety and Instruction



**SAFETY AND
INSTRUCTION MANUAL
PATRIOT .45 CAL
COBRA ENTERPRISES, INC.**



COBRA ENTERPRISES, INC.

Wear safety glasses and ear protection at all times when shooting

Specifications

**Action Type: Semiautomatic, Locked Breech
Conventional Double Action**

Caliber	.45 ACP
Overall Length	6 inches
Overall Height	4 3/4 inches
Barrel Length	3 inches
Weight	20 ounces
Sight	Rear Drift Adjustable
Grip	Checkered, Ergonomic Design
Finish	Black Polymer Frame
Stainless Steel Slide	
Mag. Capacity	6+1 Rounds

GUN SAFETY WARNINGS

"Failure to follow these gun safety instructions may result in injury to you or others"

WARNING

1. **ALWAYS** use proper shooting glasses to prevent eye injury from flying particles.

WARNING

2. **ALWAYS** use hearing protection to prevent ear damage due to repeated exposure to gun-fire noise.

WARNING

3. **DO NOT** carry a loaded gun with a live round in the chamber while walking, or climbing or anywhere you might slip and fall, dropping the gun. A gun that is dropped, bumped or jarred with a live round in the chamber might accidentally discharge even with the safety on causing injury to you or someone else.

WARNING

4. **DO NOT** rely on the safety to prevent accidental discharges. The safety may not prevent an accidental discharge due to dropping, jarring or bumping of the gun.

WARNING

5. **USE ONLY** factory loaded ammunition for which the gun is chambered as indicated on the barrel to prevent excessive pressure and possible serious personal injury.

1

WARNING

6. **RELOADED** ammunition can cause serious injury and damage to the firearm due to stress failure and/or excessive pressure.

WARNING

7. **NEVER** point a gun at anything you do not intend to shoot. Always keep your gun pointed in a **SAFE** direction in case of accidental discharge.

WARNING

8. **ALWAYS** check the barrel to insure that it is free of obstruction before loading and firing the firearm. If you experience light recoil or "off" sound, **CHECK THE BARREL FOR OBSTRUCTION.**

WARNING

9. **KEEP BARREL, CHAMBER AND ALL MOVING PARTS FREE OF RUST.** Rust in the barrel and chamber can cause excessive pressures, resulting in serious injury. Cobra Enterprises can replace a rusted barrel or chamber. Inc only.

WARNING

10. **NEVER** carry a loaded gun in a motor vehicle and **NEVER** carry a loaded gun into a dwelling. **ALWAYS** point your gun in a **SAFE** direction while loading or unloading to prevent serious injury in case of accidental discharge.

WARNING

11. **NEVER** shoot at a hard flat surface or at the surface of water to avoid a ricochet and possible serious injury to yourself or a bystander.

WARNING

12. **ALWAYS STORE GUNS UNLOADED** – in a clean dry place and out of reach of children and separated from ammunition.

WARNING

13. **NEVER ALTER** – any part in your gun. Use **ONLY** Cobra Enterprises replacement parts.

WARNING

14. Discharging firearms in poorly ventilated areas, cleaning firearms or handling ammunition may result in exposure to lead, a substance known to cause birth defects, reproductive harm and other serious injury. Have adequate ventilation at all times. Wash hands thoroughly after exposure or prior to eating and/or drinking.

WARNING

- Unlike some semi-automatic pistols, the Patriot .45 caliber can be fired when the magazine is removed if a cartridge is in the chamber and the trigger is pulled.

WARNING

- When unloading, always remove the magazine and visually check the chamber to make sure it is empty.

WARNING

- The Safety and Instruction Manual should always accompany this firearm and be transferred with it upon change of ownership or user.

Wear safety glasses and ear protection at all times

3

SAFETY

- The "Patriot" is a double action only pistol utilizing a firing pin blocking mechanism. The firing pin block stops the firing pin, which prevents movement of the firing pin unless the trigger is pulled.
- Squeezing the trigger moves the firing pin rearward, disengaging the firing pin block, allowing the firing pin to move forward and discharge the pistol.

AMMUNITION

- Use only original factory manufactured ammunition.
- The use of hand loaded, reloaded, + P or other non-standard ammunition voids all warranties.
- Feeding problems may occur using hollow point ammunition. Its use is not recommended.

Wear safety glasses and ear protection at all times

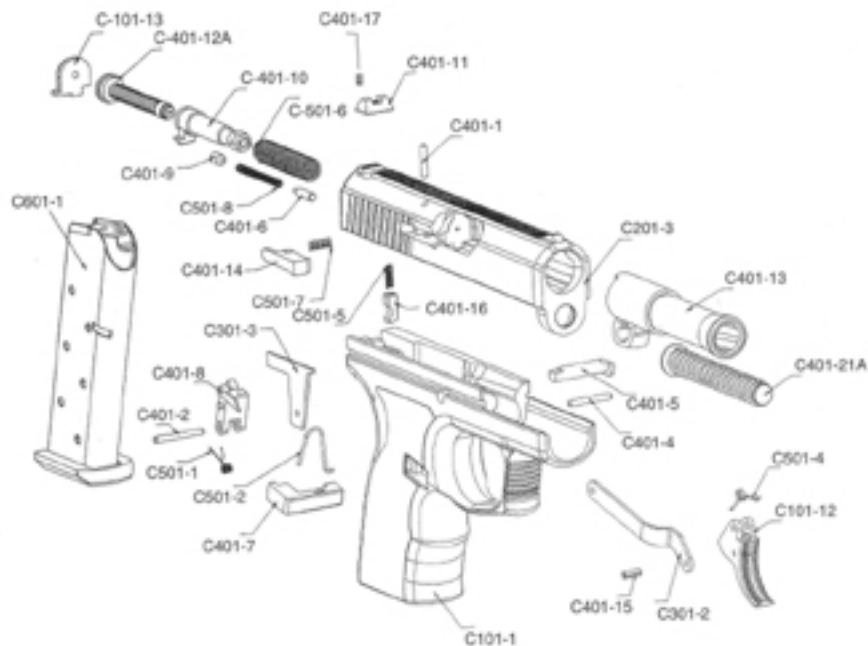
4

Cleaning

Follow this maintenance procedure to ensure that your pistol functions properly.

After firing your Cobra pistol, remove magazine and check chamber to ensure that all ammo is removed from pistol. After following the **Disassembly Instructions** clean the barrel bore with a premium quality powder – removing solvent and bore brush wipe the bore clean with a bore patch. Remove all powder and primer deposits from around the breech of the barrel and chamber, clean all moving parts with solvent and then coating lightly with rust preventive oil.

NOTE: only a light application of oil is needed to provide adequate lubrication of moving parts and to prevent rust. Magazine should be disassembled and thoroughly clean.



Disassembly

- Always make certain your pistol is unloaded before field stripping.
- Remove the Magazine (C601-1), clear the Chamber by manually retracting the slide (C201-3) all the way to the rear.
- Visually inspect the Barrel Chamber to be sure it is empty.
- Grasp the Slide, pull to the rear approximately 1/4" to align Disassembly Notch with the Main Pin (C104-5).

- Using a blunt tool, push the Main Pin (C104-5) out of the Frame (Right to Left) and remove completely.

- Pull Trigger all the way to the rear and hold.
- While holding the trigger back, gently pull the slide forward until it stops, approximately 3/4".

- Gently continue forward pressure on the slide while releasing the trigger. Releasing both at the same time.
- The entire slide assembly will glide forward off the frame.

7

Disassembly *(continued)*

Barrel Assembly Removal

- While holding the Slide assembly upside down, lift the rear portion of the Recoil Spring assembly (C401-21A) past the notch in the Barrel Lug and remove.

- To remove the barrel, lift up on the rear portion, pulling clear of the slide.

Striker Assembly Removal

- Using a blunt punch, 3/32" diameter or smaller, insert punch through the hole in the Rear (C101-13) Cover to depress the spring loaded plunger (C401-12).

- While holding the Plunger down, ease the Rear Cover up and out of the Slide.

- Retain control of the striker assembly while the Rear Cover clears the slide, (Reminder, the assembly is spring loaded).

- The Striker Spring Rod assembly, Striker and Striker Return Spring may now be completely removed from the Slide.

CAUTION:

- Do NOT attempt to disassemble the Striker Rod assembly.
- No further disassembly is recommended for routine cleaning and maintenance except by factory-trained technician.

Assembly

- Place Striker Return Spring (C501-6) over Striker, insert Firing Pin Rod (C401-12A) Assembly into rear of Striker.
 - Slip entire assembly into rear of Slide.
 - Depress assembly and hold while sliding Rear Cover (C101-13) partially into position.
 - Maintain control of the entire assembly, use a small blunt tool to depress and hold the Striker Spring Rod Rear Plunger.
 - Slide the Rear Cover into position.
- When installed correctly, the Plunger will snap into the hole located in the Rear Cover.

Barrel Assembly

- Hold slide upside down, install the Barrel (C401-13) (muzzle end first).
- Press down until Barrel locks into place.
- Grasp Recoil Spring Rod (C401-21A) assembly and place the open end into the Barrel Lug (locking position).
- Slightly compress the Spring assembly into the Notch on the Barrel Lug (locking position).

The Slide assembly can now be installed on the Frame

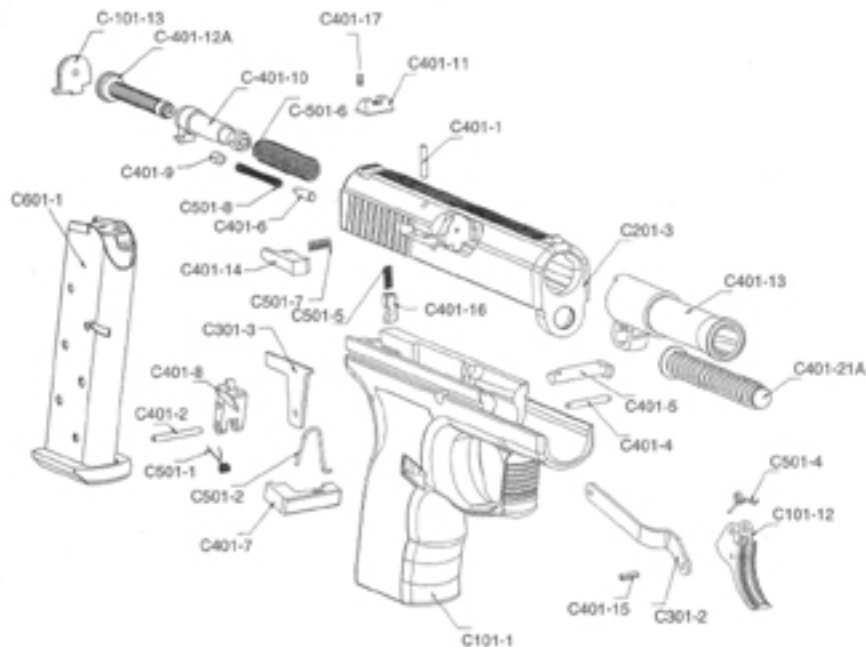
- Pull the Slide back until the Disassembly Notch lines up with the Main (C401-5) Pin hole in the Frame.
- Insert the Main Pin completely into the Frame (Left to Right).
- Slowly release the Slide forward to its original position.

This completes the assembly. If you have any questions, please contact us at (801) 908-8300.

9

Price List

Name	Part #		Name	Part #	
Frame	C101-1	not for sale	Trigger Bar Pin	C401-15	1.00
Slide	C201-3	105.00	Trigger Return SP	C501-4	1.00
Barrel	C401-13	60.00	Trigger Bar	C301-2	2.50
Extractor	C401-14	15.00	Actuation Arm	C401-8	10.00
Extractor SP	C501-7	1.00	Actuation Arm SP	C501-1	1.00
Extractor Pin	C401-1	1.00	Actuation Pin	C401-2	1.00
Firing Pin	C401-10	15.00	Ejector	C301-3	5.00
Firing Pin Block	C401-16	3.00	Magazine Body	C301-1	8.00
Firing Pin Block Plunger	C401-6	1.00	Magazine Spring	C501-10	3.00
Firing Pin Block Return SP	C501-5	1.00	Magazine Follower	C301-4	2.00
Rod Assembly	C401-21A	8.00	Magazine Base	C101-6	2.00
Rear Cover	C101-13	1.00	Mag Base Retention Plate	C101-2	1.50
Take Dn & Fig Pro Black Sp	C501-8	1.00	Complete Magazine	C601-1	15.00
Recoil Rod Assembly	C401-2	8.00	Serial Number Plate	D301-5	not for sale
Magazine Catch & Release	C401-7	3.00	Plunger Block Screw	C401-9	1.00
Magazine Catch & Rel. Sp	C501-2	1.00	Trigger Pin	C401-4	1.00
Main Pin	C401-5	3.50	Rear Sight	C401-11	6.00
Trigger	C101-12	2.00	Rear Sight Screw	C401-17	1.00
Firing Pro Striker (pin return spring)	C501-6	1.00			
Firing Pin Rod Assembly	C401-12A	8.00			



Parts and Ordering

Payment in the form of a check or money order must accompany any part order. We cannot accept C.O.D. Please include **\$4.00** for **Shipping and Handling**.

Parts with designated with "A" are sold as an assembly. Utah residents include % sales tax. When ordering parts, specify model name, part name and part number, plating and also include serial number.



Cobra Enterprises, Inc.

1960 S Milestone Drive Suite F,
Salt Lake City UT 84104
801-908-8300,
email: cobrapistols@networld.com

WARNING

**Before shipping any firearm, be absolutely sure
That the magazine and the chamber are unloaded**

SERVICE

Prior to return shipment each Cobra pistol is inspected and test fired. Should your pistol require service, we recommend that your pistol be returned directly to the factory service department. Failure to use the factory service could result in voiding your warranty.

Except for guns still under warranty, all work will bear a minimum charge of \$15.00 plus \$12.30 S&H charge. All pistols returned are to be sent prepaid. All collect shipments will be refused.

Please comply with the following suggestions for prompt service:

1. Enclose a letter of instruction on your problem.
2. Your name and return address, with telephone number.
3. Bill of sale (for warranty work).
4. Handgun must be shipped via UPS. Persons who do not hold a federal firearms license are prohibited by federal law from shipping a handgun by mail.

If you have questions with regard to the performance of your pistol, call or write our service department. Or email us at: cobrapistols@networld.com

13

Warranty Information

Cobra Enterprises, Inc. acknowledges its obligations under implied warranty legislation, with respect to the sale of consumer goods, that may be enforced in jurisdictions where its products are sold. Due to differences in the extent and interpretation of such statutes, and also on the basis of the Magnuson-Moss warranty act of the United States of America, Cobra Enterprises, Inc. has elected not to offer any written or express warranty. Cobra Enterprises, Inc. will provide all necessary service for its Patriot pistols for a period of one year from date of purchase free of charge. To the original purchaser only. Be sure to retain your sales slip as proof of purchase date.

Firearm Accessories

Click on links below



Sinclair AMMUNITION

When you don't have time to load it yourself
Quality ammunition at competitive prices [▶ SHOP NOW](#)

Remington CCI IMR FEDERAL PREMIUM

The advertisement features a man in a light-colored shirt and dark pants kneeling on a grassy field, looking towards a dog lying down. In the foreground, there are several boxes of ammunition, including Kent and Winchester brands. The background shows a line of trees under a clear sky.



SAVE 10% SITE WIDE
& FREE FEDEX GROUND SHIPPING ON ORDERS OVER \$50

GALLS

The advertisement features a red and black tactical bag, a pair of black boots, and several stacks of ammunition boxes. The background is dark blue with a subtle pattern of small white dots.