

COLT AUTOMATIC PISTOL

CALIBER .25

POCKET MODEL, HAMMERLESS.



For the caliber .25 Rimless, Smokeless Cartridge
Capacity of Magazine

6 Shots

The action of this pistol is automatic, except that the trigger must be pulled to fire each shot (continued discharge will not result from one pull of the trigger), the cartridges being supplied from a detachable magazine inserted in the handle of the pistol. After the pistol is charged with a filled magazine, one opening movement of the slide is made by hand, bringing the first cartridge into the chamber. On pulling the trigger the cartridge is fired, the empty shell ejected and a new cartridge loaded into the chamber, all these operations taking place automatically without any manipulation of the arm. This automatic operation is effected by the recoil of the moving parts and as a consequence, the recoil being thus utilized it is absorbed so that it has no disturbing effect.

SAFETY

This arm is so constructed that unless the slide and barrel are in their forward position and the action fully closed the firing pin cannot be released.

There are also provided three operating safeties:—

(1) Slide Lock Safety

When, with the arm cocked and ready for firing, the slide lock safety is pushed upward so as to engage in the corresponding recess in the slide, the arm cannot be discharged. This is effected by a projection on the under side of the slide lock safety, locking the sear and preventing movement of the firing mechanism. The slide lock safety can be drawn down by the thumb of the right hand when ready to shoot, causing no loss of time nor requiring additional motions.

(2) Grip Safety

The arm cannot be discharged unless the handle is firmly grasped and grip safety pressed in. The grip safety, when not pressed in, blocks the movement of the sear and prevents the release of the firing mechanism.

(3) SAFETY DISCONNECTOR: (incorporated in Pistols above 141,000)

If a cartridge remains in the chamber of the barrel and the pistol is left in cocked position when the magazine is withdrawn, the arm cannot be fired even if the trigger is pulled because the Safety Disconnecter positively breaks all connection between the trigger and sear.

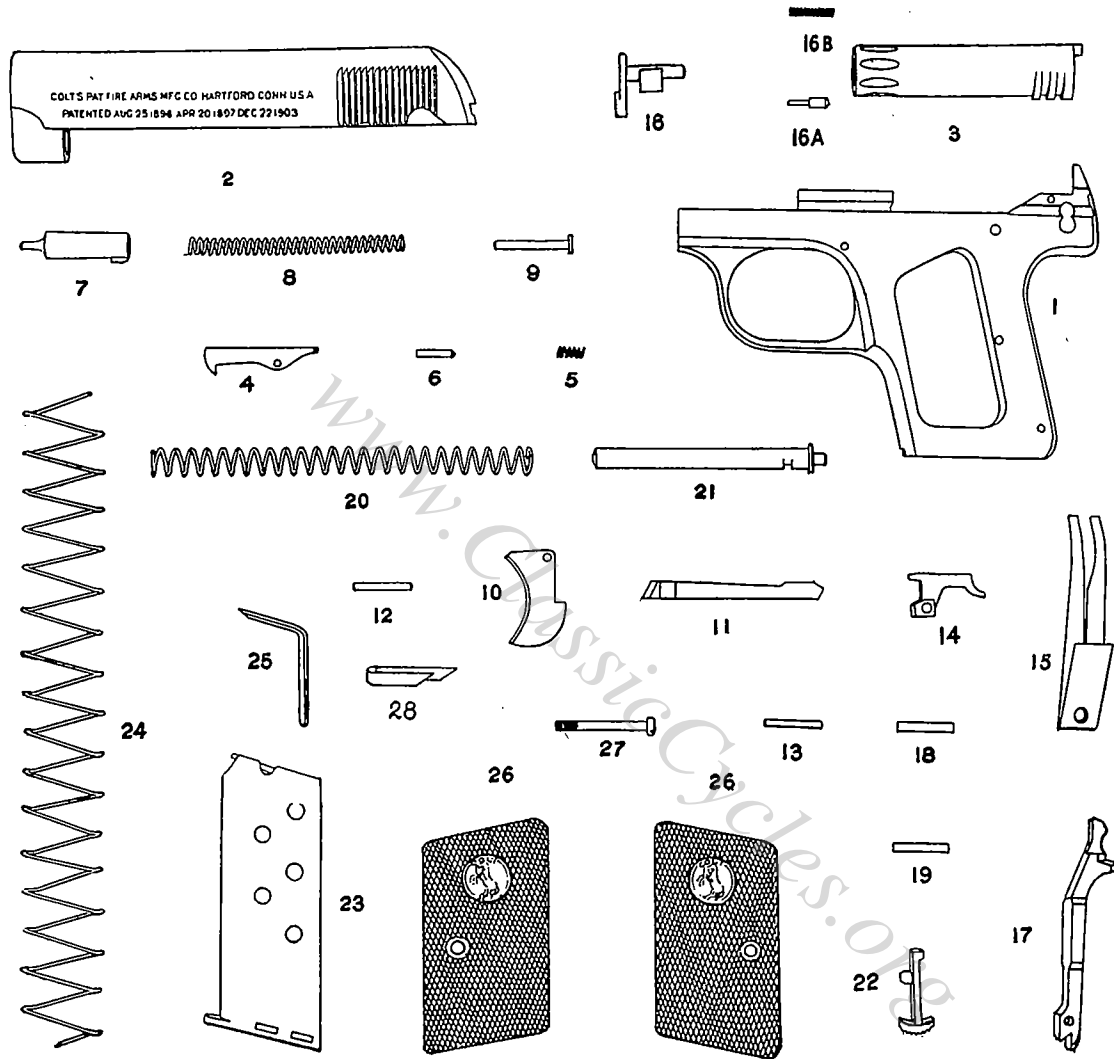
Length of barrel, 2 inches.

Length of Pistol over all, 4½ inches.

Weight of Pistol, 13 ounces.

COMPONENT PARTS OF Colt Automatic Pistol

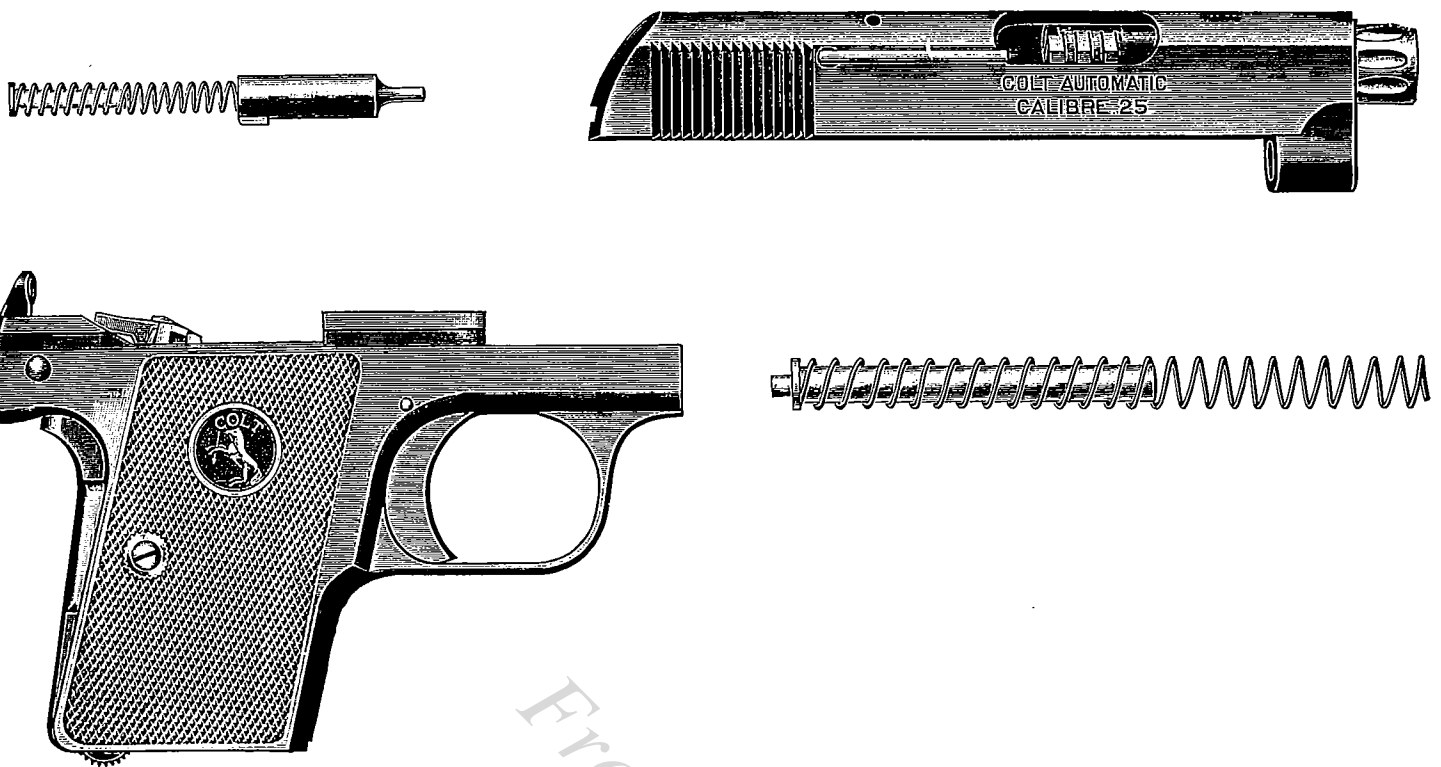
CALIBER .25



- 1 Receiver
- 2 Slide
- 3 Barrel
- 4 Extractor
- 5 Extractor Spring
- 6 Extractor Pin
- 7 Firing Pin
- 8 Main Spring
- 9 Main Spring Guide
- 10 Trigger
- 11 Connector

- 12 Trigger Pin
- 13 Sear Stop Pin
- 14 Sear
- 15 Sear, Safety, Trigger and Magazine Catch Spring
- 16 Slide Lock Safety
- 16A Slide Lock Safety Plunger
- 16B Slide Lock Safety Plunger Spring
- 17 Grip Safety
- 18 Grip Safety Pin
- 19 Sear Pin
- 20 Retractor Spring

- 21 Retractor Spring Guide (Complete with Safety Disconnecter Plunger and Spring)
- 22 Magazine Catch
- 23 Magazine, Complete
- 24 Magazine Spring
- 25 Magazine Follower
- 26 Stocks
- 27 Stock Screw
- 28 Safety Disconnecter Escutcheons



The main parts of this pistol are illustrated above, being the receiver, slide and barrel, firing pin and main spring, retractor spring and guide.

NOTE: Pistols of this model above No. 141,000 are equipped with the Safety Disconnecter described on first page.

The receiver has suitable guides for the reciprocating slide. The handle is hollow, enclosing the cartridge magazine. The magazine is inserted in the handle from below and there held by the magazine catch. When the catch is released the magazine may be drawn from the handle for recharging. In front of the handle is a trigger guard in which the trigger is located, in the rear and above the handle in the receiver the firing mechanism is arranged.

Upon the barrel are transverse ribs and on the frame are corresponding recesses. These serve to lock the barrel firmly on the frame.

The magazine is a tubular holder in which the cartridges are placed, one above the other, resting upon a follower which is acted on by a spring pressing upward. The upper end of the magazine is open to permit the escape of the cartridges, the side walls at the rear are turned inward and engage the rim of the topmost cartridge to prevent its escape from the magazine except when it is pushed forward. The magazine, as will be noted by the illustration, has holes drilled in its sides, through which the number of cartridges may be ascertained.

The forward part of the slide is semi-tubular and covers the barrel, leaving the rear portion solid to form the breech block. The slide and breech block are one solid piece, the slide being placed upon the receiver from the front and in no event can powder or powder gases escape rearward through the arm. The breech block is bored out to admit the firing pin, main spring and guide.



To Take Apart

The arm must not be cocked when about to be taken apart. Remove magazine. (Be sure to look and see that no cartridges remain in chamber.) Grasp pistol in left hand as illustrated, and draw back slide until within $\frac{1}{16}$ of an inch from end of receiver. With right hand give barrel one-quarter turn to right. The slide may then be drawn forward and barrel can be removed from slide by giving it one-quarter turn to left and permitting it to drop out rearward. (When slide is removed, care should be taken to see that Slide Lock Safety is not pushed upward as this will release the Slide Lock Plunger and Spring causing them to fly out and become lost.) The firing pin, main spring and guide are readily removed from slide, as are also the retractor spring and guide from receiver.

To Assemble

Put together firing pin, main spring and guides and place them in slide, letting the square shoulder on firing pin engage in the elongated groove of slide. Replace retractor spring and guide, placing guide in socket of receiver. Insert barrel in slide, giving it one-quarter turn to the right, thus engaging threads on barrel with those in slide. Place slide on receiver, moving rearward from the front, making sure that retractor spring fits into the socket provided for it in the front of slide. When the face of the slide is about $\frac{1}{16}$ of an inch from forward end of receiver, give barrel one-quarter turn to the left and the slide will come into its proper position. With the insertion of the magazine the assembling is completed.

COLT'S PATENT FIRE ARMS MANUFACTURING CO.

HARTFORD 15, CONN., U. S. A.

PRINTED IN U. S. A.
AL 10-45

Firearm Accessories

Click on links below



Sinclair AMMUNITION

When you don't have time to load it yourself
Quality ammunition at competitive prices [▶ SHOP NOW](#)

Remington CCI Winchester FEDERAL PREMIUM

The advertisement features a man in a light-colored shirt and khaki pants kneeling in a grassy field, holding a dog. In the foreground, there are several boxes of ammunition, including Kent, Winchester, and Federal Premium brands. The background shows a line of trees under a clear sky.



SAVE 10% SITE WIDE
& FREE FEDEX GROUND SHIPPING ON ORDERS OVER \$50

GALLS

The advertisement features a red Galls bag, a black boot, and several stacks of red and white boxes. The Galls logo is prominently displayed in the foreground.