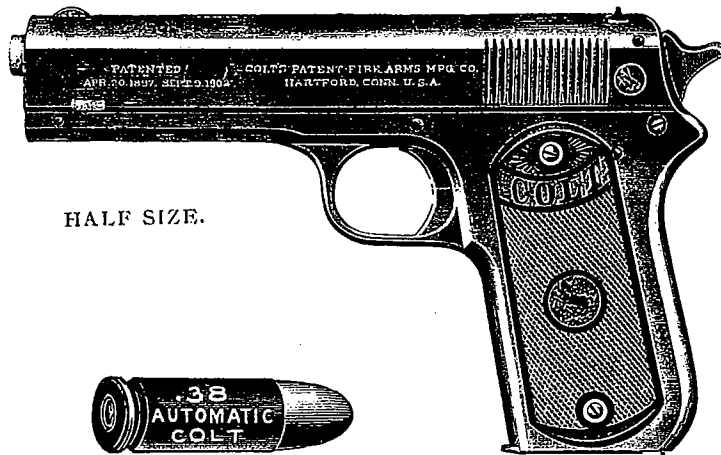


COLT AUTOMATIC PISTOL

POCKET MODEL, CALIBRE .38



HALF SIZE.

.38 Calibre Rimless, Smokeless, Metal Patched Bullet.

Capacity of Magazine, 7 Shots

THE action of this pistol is automatic except that the trigger must be pulled to fire each shot. The arm can be discharged at the rate of 5 shots per second, the cartridges being automatically supplied from a detachable magazine inserted in the handle of the pistol.

After the pistol is charged with a filled magazine, one opening movement is made by hand, bringing the first cartridge into the chamber. On pulling the trigger the cartridge is fired, the empty shell is extracted, and a new cartridge loaded into the chamber, all these operations taking place automatically without any manipulation of the arm. This automatic operation of the pistol is effected by the recoil of the moving parts, and as a consequence, the recoil is so absorbed in being utilized that it has not the usual disturbing effect.

Length of Barrel,	4½ inches
Length of Pistol over all,	7½ inches
Weight of Pistol,	32 ounces

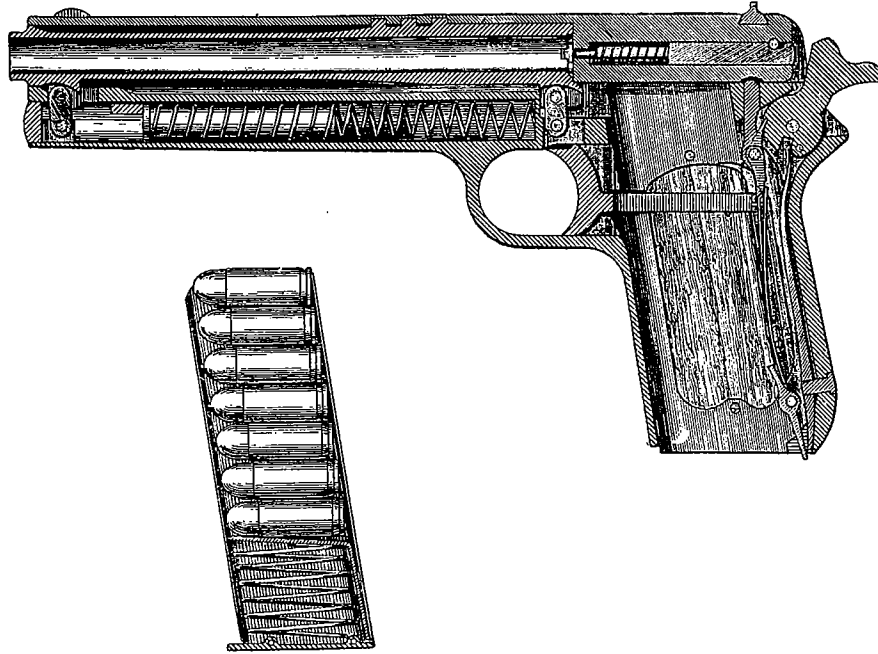
Made only in the .38 calibre, with 4½ inch barrel; blued finish.

COLT'S PATENT FIRE ARMS MANUFACTURING CO.

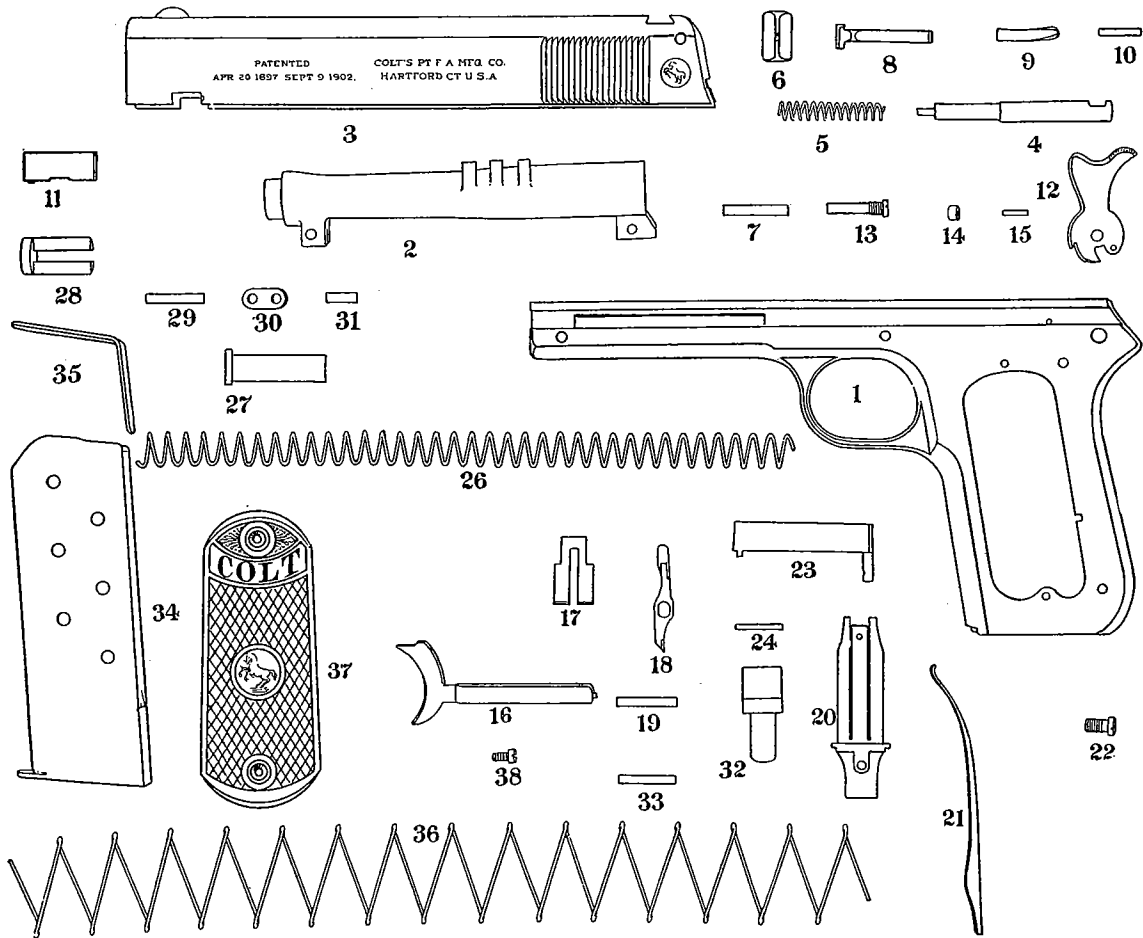
HARTFORD, CONN., U. S. A.

15-A Pall Mall, London, S. W., England.

Sectional View, Calibre .38 Automatic Colt Pistol.



Component Parts Automatic Colt Pistol. Pocket Model.



Component Parts Colt Automatic Pistol

Calibre .38 Rimless, Smokeless

1. Receiver,	\$12.00	15. Hammer Roll Pin,	\$0.02	29. Plug and Link Pin,	\$0.02
2. Barrel,	3.00	16. Trigger,90	30. Links (2) each,10
3. Slide,	3.50	17. Sear,45	31. Link-Pin, short,01
4. Firing-Pin,45	18. Safety,35	32. Magazine Catch,25
5. Firing-Pin Spring,02	19. Sear and Safety Pin,02	33. Magazine Catch-Pin,02
6. Rear Sight,20	20. Sear, Safety and Trigger Spring,25	34. Magazine, Complete,	1.50
7. Firing-Pin Lock Pin,02	21. Main Spring,25	35. Magazine Follower,05
8. Shell Extractor,20	22. Main Spring Screw,03	36. Magazine Spring,35
9. Shell Extractor Spring,05	23. Ejector,40	37. Stocks, per pair,75
10. Shell Extractor Pin,02	24. Ejector Pin,02	38. Stock Screws (4) each,02
11. Slide Lock,20	26. Retractor-Spring,15	Escutcheons, per set (4),10
12. Hammer,45	27. Follower,25	Front Sight,15
13. Hammer Screw,03	28. Plug (Take Down),25	Firing-Pin Lock Stop,03
14. Hammer Roll,03			Firing-Pin Lock Stop Spring,02

The three main parts of the pistol are the receiver, the barrel and the slide.

The receiver has suitable guides for the reciprocating slide, and below is the handle which is hollow and encloses the cartridge magazine. This is inserted in the handle from below and is there held by the magazine catch, which slightly projects from the bottom of the handle; this projection serves to release at will the magazine from the catch, when it may be readily drawn from the handle for recharging.

In front of the handle is the trigger guard in which the trigger is located; in the rear and above the handle is arranged in the receiver the firing mechanism, consisting of the hammer, the sear, a safety device and the main spring; also the sear, safety and trigger spring. The lower part of the latter serves to actuate the magazine catch.

The top of the receiver extends forward from the handle and to it the barrel is attached by two short links, one near the front end of the barrel and one at its rear end; these links are attached to the receiver by link-pins and also to the barrel by similar link pins, and allow the barrel to swing rearward thereon. As both links are of the same length, the rearward movement of the barrel in swinging thereon carries the barrel slightly downward, but the longitudinal axis during all the movements remains parallel.

Below the barrel the receiver has a tubular seat for the retractor-spring, which in front is closed by a plug fastened in the receiver by the lower link-pin. The top surface of the receiver and two longitudinal grooves on its sides form the seat for the slide, which is guided thereon in rearward and forward movements. The rear part of the slide forms the breech bolt, the forward extension of which is a partially tubular cover enclosing the barrel.

In the forward part of the receiver is a transverse mortise, extending through the retractor-spring seat, and transverse recesses in the forward part of the slide serve to admit the slide lock which, passing through the sides of the slide and through the mortise, serves to lock the slide to the receiver. The retractor-spring (in its seat in the receiver) consists of a spiral spring the rear end of which rests against the receiver, and the front end of the retractor-spring carries a follower.

The rear face of the slide lock has a slight recess, and when this lock is in its place, the front end of the follower rests in this recess, thereby confining the slide lock laterally; thus the tension of the retractor-spring is exerted to force the slide to its forward position.

Upon the barrel are three transverse ribs, and in the interior of the slide are three corresponding recesses. These serve to lock the barrel and the slide firmly together when in their forward or closed position.

Between the locking recesses and front of the breech-bolt the slide has an opening on the right side for the ejection of the empty shells. The breech-bolt is provided with an extractor, a firing-pin and a firing-pin spring.

The magazine is a tubular holder in which the cartridges are placed one above the other, resting upon a follower acted on by a spring which presses it upward. The upper end of the magazine is open to permit the escape of the cartridges; the side walls at the rear of the opening are turned inward and engage the rim of the topmost cartridge to prevent its escape from the magazine except when it is pushed forward.

OPERATION

The magazine can be loaded with any number of cartridges from one to seven, its capacity being seven. The charged magazine is inserted in the handle, the slide is drawn once to the rear by hand.

This movement cocks the hammer, and when the slide is in this position the magazine follower and follower spring raise the topmost cartridge so as to bring it into the path of the breech-bolt; the slide on being released is carried forward by the retractor-spring and during this movement, the breech-bolt places the cartridge in the chamber. As the slide approaches its forward position the front of the breech-bolt encounters the rear end of the barrel and forces the barrel forward. During this forward movement the barrel also swings upward on the links and thus the locking ribs on the barrel are carried into the locking recesses in the slide; the barrel and slide are thereby positively interlocked and the pistol is ready for firing.

A pull on the trigger now serves to move the sear so as to release the hammer and fire a shot. The force of the powder gases driving the bullet from the barrel is rearwardly exerted against the breech-bolt, overcoming the inertia of the slide and the tension of the retractor-spring, and as a result the slide and the barrel recoil together. After moving rearward together for a distance, enough to insure the bullet having passed from the barrel, the downward swinging movement of the barrel releases it from the slide leaving the barrel in its rearmost position. Owing to its momentum the slide continues its rearward movement, thereby cocking the hammer and compressing the retractor-spring until, as the slide arrives at its rearmost position, the empty shell is ejected from the side of the pistol and another cartridge is raised in front of the breech-bolt. During the return or forward movement of the slide, caused by the retractor-spring, the cartridge is placed in the chamber, the slide and barrel are interlocked, thus making the pistol ready for another shot. These operations may be continued as long as there are cartridges in the magazine, each discharge requiring only the slight pull on the trigger.

It will thus be observed that the method of operation is, briefly speaking, as follows: Load the magazine, place it in the handle; draw back slide and let it return forward; pull the trigger. If you wish to continue firing all you have to do is to continue pulling the trigger for each shot.

SAFETIES

It is impossible for the firing pin to discharge or even touch the primer except under the full blow of the hammer.

The pistol is also provided with a safety-device which makes it impossible to release the hammer unless the slide and barrel are in their forward position and safely interlocked; this safety-device also serves to control the firing and to prevent more than one shot from being fired for each pull of the trigger. It consists of a small vertical piece mounted in front of the sear in the receiver, the end of which slightly projects from the top of the receiver; in its raised position, when the breech-bolt and slide are in the forward position interlocked with the barrel, it finds a corresponding recess in the bottom of the breech-bolt. In this raised position, the safety-piece does not interfere with operation of the trigger, but when the slide is moved rearward the bottom of the breech-bolt depresses the safety-piece which, in that position, prevents the movements of the trigger from operating the sear, and thus the hammer cannot be released until the slide is again in its forward position, locked to the barrel.

TO TAKE THE PISTOL APART

In order to take the pistol apart press the Take Down Plug (in front under the barrel) until the slide lock drops out from the left side. The slide may then be drawn rearward entirely from the receiver.

To remove the barrel from the frame it is only necessary to drive out the link-pins which hold the barrel-links to the frame. This also releases the plug, which may then be removed from its seat; then the retractor-spring and the follower may be readily removed from their seat in the receiver.

After removing the stocks from the handle, by turning out the screws, all the parts of the firing mechanism may be readily removed on taking out the screws and pins holding them in receiver.

To assemble the pistol proceed in the reverse order. The slide lock is to be inserted from the left side.

COLT'S PATENT FIRE ARMS MANUFACTURING CO.

HARTFORD, CONN., U. S. A.

15-A Pall Mall, London, S. W., England.