

**⚠ WARNING:**

**BEFORE USING THIS FIREARM, READ AND FOLLOW THESE INSTRUCTIONS**

**If there is anything you do not understand, get help from someone qualified in the safe handling of firearms.**



**SAFETY  
AND  
INSTRUCTION  
MANUAL**

## **DOUBLE ACTION REVOLVERS**

**Copyright © 1997 Colt's Manufacturing Company, Inc. All Rights Reserved.  
This instruction manual should always accompany this firearm.  
When you lend, give or sell this firearm, be sure this manual goes with it.**

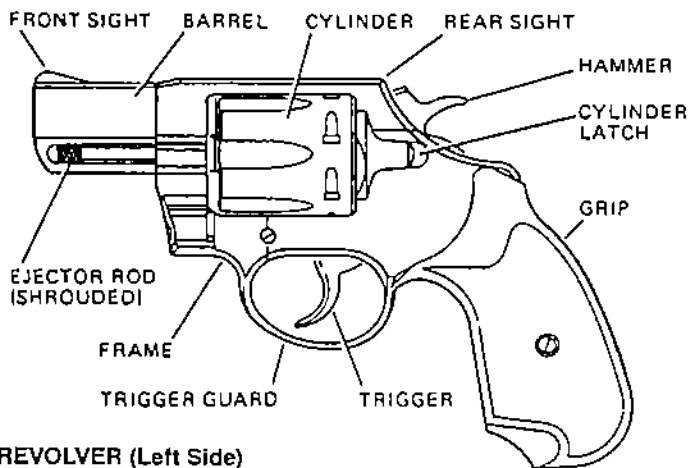


FIGURE 1—REVOLVER (Left Side)

**⚠ CAUTION:** ALWAYS KEEP AND CARRY YOUR REVOLVER EMPTY, WITH THE HAMMER FORWARD EXCEPT WHEN YOU INTEND TO SHOOT, so that your revolver cannot be fired when you do not mean to fire it.

**⚠ CAUTION:** USE ONLY ORIGINAL HIGH QUALITY COMMERCIALLY MANUFACTURED AMMUNITION IN GOOD CONDITION which is appropriate to the caliber of your revolver—see table that follows.

SAFETY DEPENDS ON YOU

This manual provides information on the following four types of Colt double action revolver: **Anaconda, King Cobra, Magnum Carry and DS-II**. For brevity, only the DS-II is illustrated. The other revolvers are different, but the essential features of their function should be understood from the DS-II illustrations. It is very important to note the differences in the following table of suitable ammunition. Be sure to read the information that applies to your revolver.

CYLINDER/BARREL CHAMBERED FOR:		SUITABLE AMMUNITION							
		38 Special	38 Special +P	38 Special +P+	357 Mag.	44 Mag.	44 Special	45 Colt	454 Casull
38 Special	DS-II	yes	⊛	no	no	no	no	no	no
357 Mag.	Magnum Carry	yes	yes	yes	yes	no	no	no	no
38 Special	King Cobra	yes	yes	yes	no	no	no	no	no
357 Mag.	King Cobra	yes	yes	yes	yes	no	no	no	no
44 Mag.	Anaconda	no	no	no	no	yes	yes	no	no
45 Colt	Anaconda	no	no	no	no	no	no	yes	no

⊛ Will accelerate wear

**SAFETY DEPENDS ON YOU**

## SECTION 1

## PRECAUTIONS

READ AND UNDERSTAND ALL THE FOLLOWING PRECAUTIONS BEFORE REMOVING THIS FIREARM FROM ITS PACKAGE.

This Colt product is classified by the Alcohol, Tobacco and Firearms Division of the Internal Revenue Service, U.S. Treasury Department, as a firearm or dangerous weapon; it is, therefore, potentially lethal!



**WARNING:** IF THIS FIREARM IS CARELESSLY OR IMPROPERLY HANDLED, UNINTENTIONAL DISCHARGE COULD RESULT AND COULD CAUSE INJURY, DEATH, OR DAMAGE TO PROPERTY.



**CAUTION:** CAREFULLY READ THIS INSTRUCTION MANUAL WHICH GIVES BASIC ADVICE ON THE PROPER HANDLING AND FUNCTIONING OF THIS COLT FIREARM PRIOR TO LOADING AND FIRING. However, your safety and the safety of others (including your family) depends on your mature compliance with that advice, and your adoption, development and constant employment of safe practices.

If unfamiliar with firearms, seek further advice through safe handling courses run by your local gun clubs, NRA approved instructor, or similar qualified organizations.

## **NOTICE**

Colt shall not be responsible for injury, death, or damage to property resulting from either intentional or accidental discharge of this firearm, or from its function when used for purposes or subjected to treatment for which it was not designed. Colt will not honor claims involving this firearm which result from careless or improper handling, unauthorized adjustment or parts replacement, corrosion, neglect, or the use of wrong caliber ammunition, or the use of ammunition other than original high quality commercially manufactured ammunition in good condition, or any combination thereof. Colt will not honor claims involving this firearm for any reason or cause when such claims are made by the second or subsequent owner.

## **IMPORTANT**

Before it left the factory this firearm was tested, carefully inspected, and packaged. Colt cannot control product handling after it leaves the factory; therefore, please examine this firearm carefully at the time of purchase to insure that it is unloaded and undamaged. The dealer will be pleased to assist you in making this examination and endeavor to answer your further questions.

This instruction manual should always accompany this firearm. When you lend, give or sell this firearm, be sure this manual goes with it.

## LIST OF SECTIONS

SECTION	TITLE	PAGE	SECTION	TITLE	PAGE
1	<b>PRECAUTIONS</b>	2		Unloading	22
2	<b>Main Features</b>	5		To Unload	22
3	<b>Safety Instructions:</b>	6		Firing and Sight Adjustment	24
	Cautions	6		To Fire	26
	Safety Features:	14	5	<b>Maintenance:</b>	30
	Trigger Guard	14		When to Clean	30
	Safety	14		How to Clean	31
	Hand	15		Storage	33
	Bobbed Hammer			Servicing and Repair	34
	(Optional on DS-II only)	15	6	<b>Parts Illustrations</b>	
4	<b>Function:</b>	16		<b>and Lists:</b>	37
	Ammunition Selection	17		DS-II/Magnum Carry	38-39
	Loading	18		Anaconda	40-41
	To Load	19		King Cobra	42-43
	Carrying Modes	21	7	<b>The Customized Gun</b>	44

**SECTION 2****MAIN FEATURES**

This manual describes Colt double action revolvers. The Anaconda is larger than the King Cobra and the King Cobra is larger than either the Magnum Carry or DS-II. All provide excellent feel and balance and can be fired either in single or double action. A revolver with a bobbed hammer (see figure 10) can be fired only in double action. All feature an internal automatic safety device that prevents hammer energy from reaching the firing pin until the trigger is squeezed and held back. Some features are described in the following table; but these could change as models are added or taken out of Colt's product line.

<b>Revolver Type</b>	<b>Barrel Lengths</b>	<b>Sights</b>	<b>Special Features</b>
Colt Anaconda 44 Cal. and 45 Colt	4", 6" and 8"	White outline, fully adjustable rear. Ramp style front with red insert.	Shrouded ejector rod. Serrated service trigger. Ventilated rib barrel.
King Cobra 357 Magnum or King Cobra 38 Special	Various from 2 $\frac{1}{2}$ " to 8"	White outline, fully adjustable rear. Ramp style front with red insert.	Shrouded ejector rod. Serrated service trigger. Solid rib barrel.
Colt DS-II 38 Secial	2" and 4"	Ramp front. Frame groove rear.	Smooth trigger. Shrouded ejector rod.
Colt Magnum Carry 357 Magnum	3"	as above	as above

**SAFETY DEPENDS ON YOU**

## SECTION 3

## SAFETY INSTRUCTIONS

We want you to enjoy shooting your Colt revolver, but we want you to enjoy it safely. You may be an experienced safe shooter already familiar with the procedures in this instruction manual, or you may never have handled a gun before. Either way we urge you to **READ THIS ENTIRE INSTRUCTION MANUAL CAREFULLY. YOU MUST FOLLOW THE SAFETY INSTRUCTIONS FOR YOUR SAFETY AND THE SAFETY OF OTHERS.**



**WARNING:** When you squeeze the trigger, you must expect the gun to fire, and you must take full responsibility for firing it. Your care can avoid accidental discharge, and you will thereby avoid accidental injury and death.

### CAUTIONS:



#### GENERAL HANDLING CAUTIONS:

1. ALWAYS HANDLE YOUR REVOLVER AS IF IT WERE LOADED so that you never fire it accidentally when you think it is unloaded.
2. NEVER POINT YOUR REVOLVER AT ANYTHING YOU DO NOT INTEND TO SHOOT so that if it fires accidentally, injury, death, or damage to property will be prevented.



**3 NEVER TAKE ANYONE'S WORD THAT A GUN IS UNLOADED:** check for yourself with fingers off the trigger and gun pointed in a safe direction, so that you never fire the gun accidentally when you think it is unloaded.

**4. ALWAYS MAKE SURE YOUR REVOLVER IS NOT LOADED AND SWING THE CYLINDER OPEN BEFORE LAYING IT DOWN, OR HANDING IT TO ANOTHER PERSON,** so that it cannot be fired when it is unsafe to do so.

**5. ALWAYS KEEP AND CARRY YOUR REVOLVER EMPTY, WITH THE HAMMER FORWARD** except when you intend to shoot, so that your revolver cannot be fired when you do not mean to fire it.

**6. ALWAYS BE AWARE OF POSSIBLE RISK FROM DROPPING YOUR REVOLVER.** Some parts of the mechanism could be damaged. You may not see the damage, but if it is severe, the revolver may discharge and cause injury, death, or damage to property. If your revolver has been dropped, have it examined by a competent gunsmith before using it again.

**7. NEVER LEAVE REVOLVER COCKED READY TO FIRE** as this condition is extremely dangerous, and revolver could easily be accidentally discharged, causing injury, death, or damage to property.

**8. NEVER LEAVE A LOADED REVOLVER UNATTENDED.** Someone, especially a child, may fire it and cause injury, death, or damage to property.

**9. ALWAYS INSTRUCT CHILDREN TO RESPECT FIREARMS.** If you teach your children to shoot, teach them or get them trained by a qualified instructor to treat and use the revolver properly, and always supervise them closely. Always stress safety so that your children will not fire the revolver when it is unsafe to do so.



### **RANGE CAUTIONS**

**10. ALWAYS BE SURE YOUR BACKSTOP IS ADEQUATE** to stop and contain bullets before beginning target practice so that you do not hit anything outside the range shooting area.

**11. ALWAYS PUT A KNOWLEDGEABLE AND RESPONSIBLE PERSON IN CHARGE TO MAINTAIN SAFETY CONTROL WHEN A GROUP IS FIRING ON A RANGE.** Obey his commands so that discipline is maintained to reduce the likelihood of accidents.

**12. ALWAYS CARRY YOUR REVOLVER EMPTY WITH CYLINDER OPEN WHILE ON A RANGE** until preparing to fire. Keep it pointing towards the backstop when loading, firing and unloading, to eliminate the risk of injury, death, or damage to property.



## **LOADING/UNLOADING CAUTIONS**

13. ALWAYS EXERCISE EXTREME CARE TO KEEP MUZZLE POINTING IN A SAFE DIRECTION, WELL CLEAR OF YOUR BODY, particularly when loading and unloading revolvers.
14. ALWAYS BE SURE BARREL BORE AND CYLINDER CHAMBERS ARE CLEAN AND CLEAR OF OBSTRUCTIONS. Clean a wet or fouled revolver immediately so that it will function correctly and safely.
15. ALWAYS USE ONLY CLEAN, DRY, ORIGINAL HIGH QUALITY COMMERCIALY MANUFACTURED AMMUNITION IN GOOD CONDITION WHICH IS APPROPRIATE TO THE CALIBER OF YOUR REVOLVER. (See inside front cover). Gun and ammunition manufacturers design their products within exacting engineering safety limits. Handloads and remanufactured ammunition are sometimes outside those limits and can be so unsafe as to blow up the cylinder and frame and cause injury, death, or damage to property.
16. ALWAYS LEAVE AN EMPTY CHAMBER UNDER THE HAMMER to achieve maximum safety with a loaded revolver.



## **SHOOTING CAUTIONS**

**17. NEVER DRINK ALCOHOLIC BEVERAGES OR TAKE DRUGS BEFORE OR DURING SHOOTING,** because your vision, coordination and judgment could be seriously impaired making your gun handling unsafe.

**18. ALWAYS SEEK A DOCTOR'S ADVICE IF YOU ARE TAKING MEDICATION,** to be sure you are fit to shoot and handle your revolver safely.

**19. ALWAYS WEAR AND ENCOURAGE OTHERS TO WEAR EAR PROTECTION WHEN SHOOTING,** especially on a range. Without ear protection, the noise of even one shot from your revolver, and other guns close to you, could leave a "ringing" in the ears for some time after firing. The cumulative long term effect could be permanent hearing loss.

**20. ALWAYS WEAR AND ENCOURAGE OTHERS TO WEAR PROTECTIVE SHOOTING GLASSES.** Flying particles could damage eyes and cause blindness; but protective shooting glasses should prevent such injury.

**21. ALWAYS HOLD REVOLVER BY THE GRIP AND KEEP BOTH HANDS WELL CLEAR OF, AND BEHIND THE CYLINDER.** Never hold it near the cylinder as very hot gas and lead particles may be sprayed out around the cylinder... these would injure your hands.

**22. NEVER SQUEEZE THE TRIGGER OR PUT YOUR FINGER IN THE TRIGGER GUARD UNTIL YOU ARE AIMING AT A TARGET AND READY TO SHOOT.** This will prevent you from firing the revolver when it is pointing in an unsafe direction.

**23. ALWAYS BE ABSOLUTELY SURE OF YOUR TARGET AND THE AREA BEHIND IT BEFORE YOU SQUEEZE THE TRIGGER.** A bullet could travel through or past your target up to 1½ miles . . . if in doubt, don't shoot. **THINK! *What will you HIT if you MISS the target?***

**24. NEVER SHOOT AT A HARD SURFACE SUCH AS ROCK, OR A LIQUID SURFACE SUCH AS WATER.** A bullet may ricochet and travel in any direction to strike you, or an object you cannot see, causing injury, death, or damage to property.

**25. NEVER DISCHARGE A FIREARM NEAR FLAMMABLE MATERIAL.** Flame and sparks erupt from the firearm when discharged. They could start a fire or cause flammable liquids and gases to explode.

**26. NEVER FIRE YOUR REVOLVER NEAR AN ANIMAL** unless it is trained to accept the noise; an animal's startled reaction could injure it or cause an accident.

**27. NEVER INDULGE IN "HORSEPLAY" WHILE HOLDING YOUR REVOLVER as it may be accidentally discharged.**

**28. NEVER WALK, CLIMB OR FOLLOW A COMPANION WITH YOUR REVOLVER COCKED READY TO FIRE, out of its holster, or with the hammer in any position other than forward on an empty chamber, to eliminate risk of accidental discharge. Hold your revolver so that you can always control the direction of the muzzle.**



### **MALFUNCTION CAUTIONS**

**29. FAILURE TO FIRE: ALWAYS HOLD THE REVOLVER, KEEPING IT POINTED TOWARDS THE TARGET OR A SAFE OPEN AREA AND WAIT 30 SECONDS** when the revolver fails to fire. If a hangfire (slow ignition) has occurred, round will fire within 30 seconds. If round does not fire, open cylinder, eject round and examine primer; if firing pin indent on primer is light, off center, or non-existent, have revolver examined by a competent gunsmith before firing again. If firing pin indent on primer appears normal (in comparison with similar previously fired rounds) assume faulty ammunition; segregate misfired round from other live ammunition and empty cases, reload and carry on firing.

**NOTE:** Dispose of misfired rounds in accordance with ammunition manufacturer's instructions.

30. NEVER USE YOUR REVOLVER IF IT FAILS TO FUNCTION PROPERLY, AND NEVER FORCE A JAMMED ACTION, as a round may explode causing serious injury, possible death, or severe damage to your revolver.

31. ALWAYS RELEASE TRIGGER FULLY FORWARD BETWEEN ROUNDS. If trigger is only partially released when squeezed, it may jam. Clear this condition by simply releasing the trigger fully forward before squeezing it again.



### **CLEANING AND STORAGE CAUTIONS**

32. ALWAYS MAKE SURE YOUR REVOLVER IS NOT LOADED BEFORE CLEANING, STORING, TRAVELING, LAYING IT DOWN, OR HANDING IT TO ANOTHER PERSON, so that it cannot be fired when it is unsafe to do so.

33. ALWAYS KEEP AND STORE YOUR REVOLVER AND AMMUNITION IN SEPARATE LOCKED RECEPTACLES OUT OF REACH AND SIGHT OF CHILDREN AND UNTRAINED PEOPLE, to minimize the risk of revolver and ammunition being easily available for loading and firing.



### **GUN ABUSE CAUTION**

34. NEVER ABUSE YOUR REVOLVER by using it for any purpose other than shooting.



## **HEALTH AND ENVIRONMENTAL WARNING**

Discharging firearms in poorly ventilated areas, cleaning firearms, or handling ammunition may result in exposure to lead and other substances known to cause birth defects, reproductive harm, cancer, and other serious physical injury. Have adequate ventilation at all times. Wash hands thoroughly after exposure.

**NOTE:** Please note that we have chosen to use the word "SQUEEZE" in this instruction manual instead of "PULL" or "PRESS" when trigger movement is described; this is simply to remind you of the need for a gentle squeezing action to achieve accuracy.

## **SAFETY FEATURES**

### **Trigger Guard**

The Trigger Guard is a loop around the trigger to protect it from damage and to help prevent accidental discharge.

### **Safety**

The safety works on the principle of creating a space between the hammer and firing pin. This will prevent the hammer from striking the firing pin until the trigger is squeezed and held back. In this way, if the hammer is being cocked and it slips from your thumb, or if the revolver is dropped on the hammer spur, the revolver will not fire provided the trigger is not in the firing position.



To allow the revolver to fire, the safety connector moves up behind the firing pin when the hammer is cocked, and will remain there if the trigger is squeezed and held in the firing position. When the hammer moves forward it strikes the safety connector which transmits the hammer energy to the firing pin to fire the revolver. However, if the trigger is released before the hammer has been fully cocked, the safety connector will withdraw to prevent the hammer energy being transmitted to the firing pin.

## **Hand**

The hand's primary function is to rotate the cylinder. However, it serves also as a safety device to prevent the cylinder from being moved out of or into the revolver frame when the hammer is cocked. This minimizes the risk of accidental discharge while the revolver is being loaded or unloaded.

## **Bobbed Hammer**

On revolvers with bobbed hammers the hammer does not have a spur with which to cock it manually. These revolvers are fired only in a double action mode. This eliminates the risk of leaving the hammer cocked.

**IMPORTANT:** These safety devices are designed and installed in this revolver to prevent accidental discharge. Of course, this Colt revolver is designed primarily to discharge bullets, and it will do this efficiently when it is loaded and you squeeze the trigger. *Always expect the gun to fire when you squeeze the trigger.*

**SAFETY DEPENDS ON YOU**

This revolver can be fired by single action (cocking hammer by thumb and squeezing the trigger) or double action (squeezing the trigger to cock the hammer and fire the revolver). Either way, the functioning sequence is similar. Revolvers with bobbed hammers cannot be cocked by hand; they are fired double action only.

When the hammer starts to move rearward, the bolt unlocks the cylinder, the hand rotates the cylinder clockwise and the safety connector moves up behind the firing pin. When the hammer is about half way to the cocked position, the spring loaded bolt is released to contact the cylinder between the fired and unfired chambers. The cylinder continues to rotate until the bolt drops into the next bolt notch to assure proper alignment of the chamber to the barrel and firing pin.

In single action, when the hammer is cocked it will remain cocked until the trigger is squeezed. In double action, pulling the trigger through to the rearward firing position both cocks and releases the hammer allowing it to move forward to strike the safety connector which transmits energy to the firing pin to fire the revolver.

When the firing pin strikes the primer in the base of the cartridge, energy imparted to the primer ignites it, this in turn ignites the main powder charge. Extremely high gas pressure generated by the burning powder forces the bullet out of the mouth of the cartridge, forward out of the cylinder, across the barrel/cylinder gap and into the throat of the barrel. In the barrel, rifling imparts stabilizing spin to the bullet so that it will follow a more accurate path to the target. Upon releasing the trigger, the safety connector will withdraw, leaving a space between the firing pin and the hammer.

## **AMMUNITION SELECTION**

Colt firearms are designed to function with a variety of brands and types of factory-manufactured ammunition in the appropriate caliber; but not all ammunition produces the same result. Colt recommends that after you read and understand this manual, you go to the range and fire different ammunition which is appropriate to the caliber of your firearm. See inside front cover and page 1. Once you find the ammunition which functions best, keep using it. Do not load damaged ammunition, particularly if it has dents and scratches around the primer.

Extensive use of +P 38 Special ammunition will accelerate wear in a Colt DS-II revolver. For continued satisfactory performance, have it checked periodically at a Colt Authorized Repair Service Station. Have it checked at least every 3,000 rounds.



**CAUTION: COLT DOES NOT RECOMMEND THE USE OF +P+ 38 SPECIAL CARTRIDGES OR ANY VARIATION OF THAT AMMUNITION IN A DS-II 38 SPECIAL REVOLVER.** The use of +P+ ammunition would significantly reduce its service life, will void any of Colt's obligations for service, and could eventually render the revolver unsafe or non-functional.

**NOTE:** The Colt King Cobra and the Colt Magnum Carry revolvers are suitable for firing +P+ 38 Special ammunition.

### **LOADING**



**CAUTION: TO MINIMIZE RISK OF UNINTENTIONAL DISCHARGE, LOAD LIVE AMMUNITION INTO REVOLVER ONLY WHEN YOU INTEND TO SHOOT, AND THEN KEEP AN EMPTY CHAMBER UNDER THE HAMMER.**



**CAUTION: ALWAYS EXERCISE EXTREME CARE TO KEEP MUZZLE POINTING IN A SAFE DIRECTION, WELL CLEAR OF YOUR BODY, particularly when loading and unloading revolvers.**

**To Load:**

**1. CAUTION: READ SAFETY INSTRUCTIONS (Section 3)—KEEP REVOLVER POINTING IN SAFE DIRECTION AND DO NOT TOUCH THE TRIGGER.**

2. Open revolver by pulling cylinder latch to rear and pushing cylinder out to the left (See Figure 2). Check each of six chambers to ensure they are clean and free from accumulated oil. (Clean if necessary).

3. Use only ammunition recommended inside front cover of this instruction manual as suitable for your revolver. Insert a round of ammunition into a chamber.

4. Press round home until it is fully seated.

5. Repeat steps 3 and 4 until revolver is loaded with 5 rounds for maximum carrying safety; 6 rounds if firepower is more important.

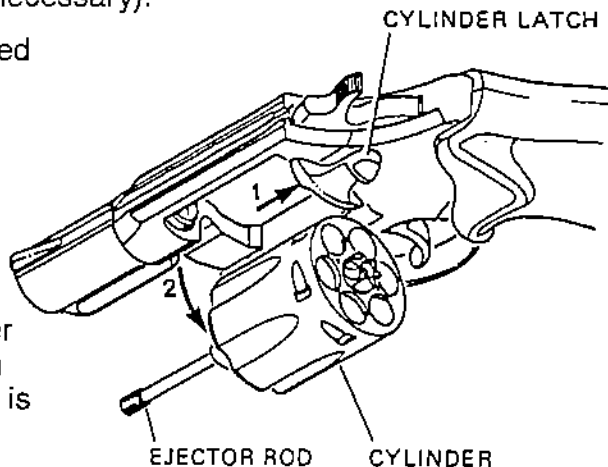


FIGURE 2—OPENING REVOLVER

**SAFETY DEPENDS ON YOU**



**CAUTION:** LEAVE ONE CHAMBER EMPTY AND INSURE IT REMAINS IN FRONT OF HAMMER AND IN LINE WITH BARREL, for safest method of carrying a loaded revolver.

6. KEEP REVOLVER POINTING IN SAFE DIRECTION. Ensure hammer is not cocked. Push cylinder into frame until the cylinder latch springs forward to lock the cylinder. When only 5 rounds are loaded make sure by looking at the back of the cylinder that the empty chamber is in the firing position. (In line with the barrel and hammer). If the empty chamber is not correctly positioned, open the revolver and repeat this step until the empty chamber remains in the firing position.


**IMPORTANT:** Do not attempt to close cylinder with hammer cocked, and do not swing or slam cylinder forcibly into place in the frame as you could damage the mechanism.

**IMPORTANT:** It is sometimes possible that the bolt will not correctly engage the cylinder to lock it. Check for correct locking by attempting to rotate cylinder gently clockwise by hand. If it is already locked, the cylinder will not move, but if it was unlocked, you should hear the bolt "click" into engagement with the cylinder to lock it. Then look at the back of the cylinder to ensure that the empty chamber remains in the firing position.


## **CARRYING MODES**

**NOTE:** This revolver may be carried in any one of the following three modes according to your needs:


- Mode 1: — Cylinder empty, hammer forward.
- Revolver cannot be discharged.
  - Use Mode 1 for storage, transporting, cleaning, repair, demonstrating and dry practice.
  - Also use Mode 1 *with cylinder open* when laying revolver down, carrying it on a range, and when handing it to, or receiving it from, another person.
- Mode 2: — Cylinder loaded with 5 rounds, empty chamber under hammer, hammer forward.
- Revolver cannot be discharged unless trigger is squeezed.
  - Use Mode 2 when **CARRYING THE REVOLVER READY FOR USE.**
- Mode 3: — Cylinder loaded with 6 rounds, hammer forward.
- Revolver can be fired when trigger is squeezed.
  - Use Mode 3 when you must have **MAXIMUM FIREPOWER IMMEDIATELY AVAILABLE.**

 **WARNING:** When you squeeze the trigger, you must expect the gun to fire, and you must take full responsibility for firing it. Your care can avoid accidental discharge, and you will thereby avoid accidental injury and death.

## **UNLOADING**

 **CAUTION:** ALWAYS UNLOAD YOUR REVOLVER IMMEDIATELY AFTER USE AND BEFORE CLEANING AND STORAGE to minimize the risk of accidental discharge.

### **To Unload:**

-  1. **CAUTION:** READ SAFETY INSTRUCTIONS (Section 3)—KEEP REVOLVER POINTING IN SAFE DIRECTION AND DO NOT TOUCH THE TRIGGER.
2. Open revolver by pulling cylinder latch to the rear and pushing the cylinder out to the left of revolver (See Figure 2).
3. Push ejector rod backwards forcing out all live rounds or empty cases (See Figure 3). When they are clear of the chambers, remove from revolver. Allow ejector rod to return forward under its spring action.



4. Ensure hammer is not cocked. Push cylinder into the frame until cylinder latch springs forward to lock cylinder.

5. Collect live ammunition for safe storage and spent cartridge cases for disposal.

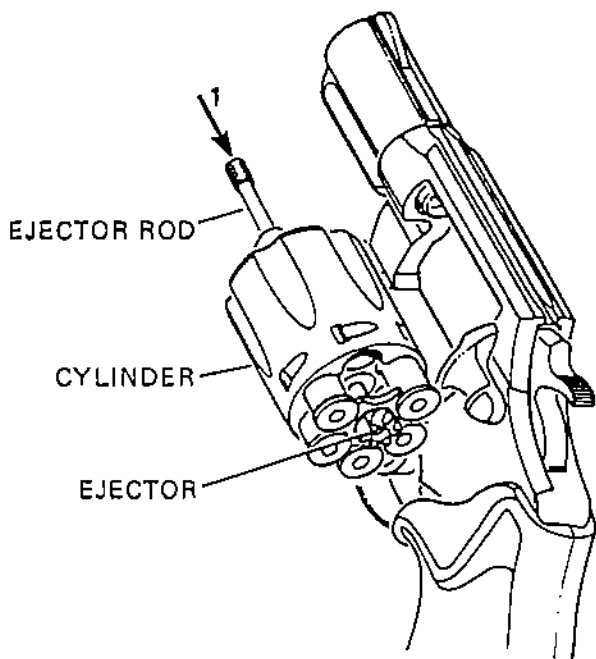


FIGURE 3-EJECTION

## FIRING AND SIGHT ADJUSTMENT

Before firing your Colt revolver, practice your stance, aim, rhythm and breathing for steady aim with your revolver UNLOADED. You can also dry-fire your revolver to get the feel of the trigger action so that you can develop some shooting skills without ammunition. You should then practice firing on a range before using your revolver for any other type of shooting. The Colt Accro rear sight is fitted to the Anaconda and King Cobra revolvers. (See Figure 4).

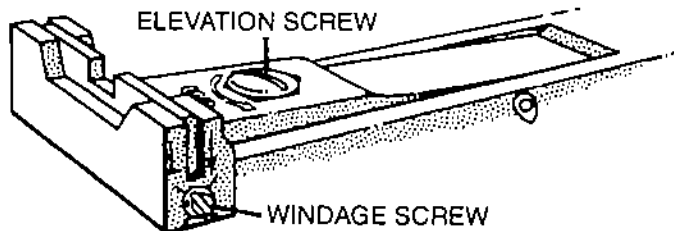


FIGURE 4—COLT ACCRO REAR SIGHT

To adjust the Accro sight, turn the windage screw clockwise and sight moves to left; counterclockwise and it moves to right. Turn elevation screw clockwise to lower sight; counterclockwise to raise it. Point of bullet impact will move in the same direction. It is recommended that adjustments for other than windage and elevation be made only by experienced persons.



## **CAUTIONS:**

- 1. ALWAYS WEAR AND ENCOURAGE OTHERS TO WEAR EAR PROTECTION WHEN SHOOTING,** especially on a range. Without ear protection, the noise of even one round from your revolver, and other guns close to you, could leave a “ringing” in the ears for some time after firing. The cumulative long term effect could be permanent hearing loss.
- 2. ALWAYS WEAR AND ENCOURAGE OTHERS TO WEAR PROTECTIVE SHOOTING GLASSES.** Flying particles could damage eyes and cause blindness; but protective shooting glasses should prevent such injury.



### To Fire:

**1. CAUTION: READ SAFETY INSTRUCTIONS (Section 3)—KEEP REVOLVER POINTING IN SAFE DIRECTION AND DO NOT TOUCH THE TRIGGER.**

2. Load revolver as previously described. It can now be fired in either single action (see paragraph 3S) or double action (see paragraph 3D which also applies to revolvers with bobbed hammers).

3. (S) 1. *To fire single action*, grasp revolver by its grip, keep fingers away from trigger and draw hammer fully back (about an inch) to the cocked position where it will be held to the rear (See Figure 5). Remove thumb from hammer spur.

2. Take aim by aligning target with front and rear sights (See Figure 6).

3. Keeping steady aim, place index finger on trigger and squeeze gently until hammer falls. Don't jerk the trigger as you will disturb your aim and spoil your accuracy.

4. To fire second and subsequent rounds, remove finger from trigger, cock hammer, squeeze trigger until you have completed firing.

5. When you have completed firing, remove finger from trigger.

3. (D) *To fire double action.* Grasp revolver by its grip and keep fingers away from hammer. Aim by aligning target with front and rear sight and squeeze trigger until hammer is cocked and released to fire the revolver. To fire second and subsequent rounds, release trigger fully forward and squeeze it again. Repeat until you have completed firing, then remove finger from trigger.

**IMPORTANT:** Be sure that the trigger has returned fully forward before squeezing it again. This is necessary with any revolver to make sure the components of the lockwork are in the proper position for the next shot.

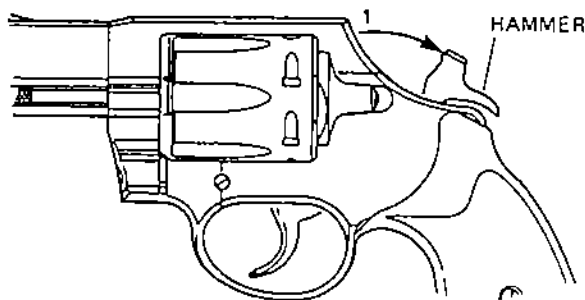


FIGURE 5-COCKING-SINGLE ACTION

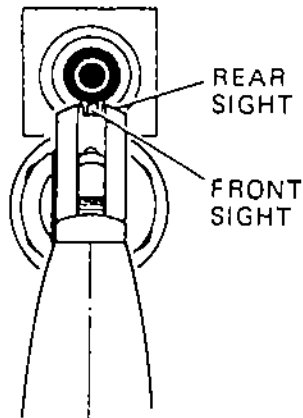


FIGURE 6-AIMING

SAFETY DEPENDS ON YOU



**CAUTION: FAILURE TO FIRE: ALWAYS HOLD REVOLVER, KEEPING IT POINTED TOWARDS THE TARGET OR A SAFE OPEN AREA AND WAIT 30 SECONDS WHEN REVOLVER FAILS TO FIRE.** If a hangfire (slow ignition) has occurred, round will fire within 30 seconds. If round does not fire, eject round and examine primer in base of misfired round. If firing pin indent on primer is light, misaligned or non-existent, have revolver examined by a competent gunsmith. If firing pin indent on primer appears normal (in comparison with similar previously fired rounds) assume faulty ammunition; segregate misfired round from other live ammunition and empty cases, reload and carry on firing.

**NOTE:** Dispose of misfired rounds in accordance with the ammunition manufacturer's instructions.

4. KEEP REVOLVER POINTING IN SAFE DIRECTION. Unload revolver as previously described.



**CAUTION: NEVER LEAVE REVOLVER COCKED READY TO FIRE** as the fire condition is extremely dangerous, and revolver could easily be accidentally discharged causing injury, death, or damage to property.



**CAUTION: NEVER TRY TO COCK THE BOBBED HAMMER BY HAND** because it could slip out of your grasp and cause the revolver to discharge if the trigger is pulled.

**IMPORTANT:** If your hammer has a spur and you cock the hammer, but do not fire the revolver, return the hammer to a safe position as follows: Place thumb firmly on hammer spur; some people wedge their other thumb in front of hammer for more control. Squeeze trigger only long enough to allow hammer to move forward just clear of cocked position. Release trigger completely before gently lowering hammer all the way forward. At this time a live round will be in the firing chamber. If you fire again it will be missed until the cylinder makes a complete revolution. The live round in the firing chamber puts the revolver into Carrying Mode 3; see page 21.

To Make sure the live round is not missed and to put the loaded revolver into Carry Mode 2, open the cylinder and rotate it one chamber counterclockwise. Close the cylinder. Now, assuming you loaded only 5 chambers, either the empty chamber or the spent case of a previously fired round will be in the firing chamber position. The live round will again be lined up ready to move into the firing position when the hammer is cocked.

If you lose the opportunity to fire, unload your revolver as previously described.

A Colt revolver, like any other precision mechanism, will perform better, last longer and remain safer when it is properly maintained. Follow the instructions in this section to keep your revolver in peak condition.



**CAUTION: ENSURE THAT THE REVOLVER IS NOT LOADED BEFORE CLEANING, SO THAT IT WILL NOT FIRE. Look in EVERY chamber and make sure ALL are empty.**

**IMPORTANT:** Do not strip your revolver. If additional maintenance is required see "Servicing and Repair" later in this instruction manual.

### WHEN TO CLEAN

You should clean your revolver as soon after firing as possible so that the job will be easier and there will be less opportunity for corrosion to start. When your revolver has not been fired, clean it periodically; we suggest once or twice a year in a temperate climate, or as often as once a month in a tropical climate. If you carry a loaded revolver, UNLOAD it and clean it at least once a month.



## HOW TO CLEAN

The following cleaning procedure may be used both periodically and after firing; however, those items marked "\*" are unnecessary for periodic cleaning.

**Materials:** Cleaning rod, cotton flannel patches (cut to fit snugly into the bore), a small toothbrush, good quality light gun oil, \*gun cleaning solution, and \*a brass wire bristle bore cleaning brush.

**NOTE:** In freezing conditions (below 32°F or 0°C) avoid the use of oil for lubrication; instead apply dry lubricant sparingly.



### Procedure:

1. **CAUTION: ENSURE THAT THE REVOLVER IS NOT LOADED.**
2. Open the cylinder as previously described (See Figure 2).

**NOTE:** Avoid contact between cleaning rod and muzzle as resultant wear will reduce accuracy. Take care to avoid striking rear frame of revolver as severe cases result in burring of metal around the firing pin hole which could contribute to eventual firing failures.

3. Attach cotton flannel patch to end of cleaning rod, insert it in muzzle and pass rod and patch down through barrel. Repeat, changing patches until last patch comes out clean.

**SAFETY DEPENDS ON YOU**

4. Clean each of the six chambers in cylinder with similar method to Step 3 above.
5. Visually inspect barrel and chambers; if they are clean, proceed directly with Step 8, but if it remains dirty, continue with Step 6.
6. **\*(NOTE: This item should be needed only after firing).** Attach brass wire bristle brush to cleaning rod and dip brush in gun cleaning solution. Thoroughly scrub out barrel and cylinder chambers, passing the brush all the way through before reversing the movement. If you try to change direction with brush in barrel or chamber, the brush will stick. Note that painted and plated surfaces could become damaged or streaked when exposed to gun cleaning solution, so follow the manufacturer's instructions.
7. Repeat Steps 3, 4 and 5 above.
8. Use a small toothbrush with a little gun cleaning solution to clean the front face of the cylinder and the rear face of barrel and revolver frame.
9. Clean the rear face of the cylinder and ratchet, then push the ejector rod rearward and clean behind the ratchet.
10. Remove all traces of gun cleaning solution from the revolver.

11. Lightly moisten a flannel patch with gun oil and pass it once through barrel, leaving a thin film of oil on the inside surface. Similarly oil the six chambers in the cylinder. Leave this film of oil on the metal surfaces if revolver is to be stored. If it is not to be stored, or if it is being removed from storage for use, pass a dry patch through barrel and chambers to remove as much oil as possible. (See note on cold weather lubrication).

12. Check that flannel or brush bristles have not become lodged in any part of revolver, then wipe all external surfaces including those between hammer and frame with a flannel patch lightly moistened with gun oil.

13. Remove any gun cleaning solution and oil from the grip.

## **STORAGE**



**CAUTION: ALWAYS UNLOAD YOUR REVOLVER FOR STORAGE AND STORE AMMUNITION SEPARATELY.** Keep and store your revolver and ammunition securely locked and in separate locations out of reach and sight of children and untrained people. (Children are naturally curious and do not always believe the real danger of guns).

**NOTE:** Do not store your revolver in an air-tight container, and do not seal or attempt to seal the barrel or chambers to exclude dust, as the internal steel surfaces are more likely to corrode. Use the Colt packaging case to carry and store your EMPTY revolver.

**SAFETY DEPENDS ON YOU**

## SERVICING AND REPAIR

Should your revolver require adjustment, or repair, make sure it is **NOT LOADED** and send it to Colt's. For spare parts, seek advice from the Dealer who should have up to date information on how best to obtain genuine Colt parts.

An illustration and list of part names are included in the next section of this instruction manual to help you identify the part you need, but it is important to note that all parts are not available for sale. Those parts which are available should be installed by Colt's or a competent gunsmith. When ordering parts, please give part name as given on the Parts List. Also give the caliber, model name, serial number and metal finish of your revolver, i.e., whether blue, nickel or stainless steel.

**IMPORTANT:** If you make unauthorized adjustments or use unauthorized parts, Colt will not assume responsibility for the functioning of this revolver.

THIS GUN IS MANUFACTURED TO PERFORM PROPERLY WITH THE ORIGINAL PARTS AS DESIGNED. IT IS YOUR DUTY TO MAKE SURE ANY PARTS YOU BUY ARE INSTALLED CORRECTLY AND THAT NEITHER REPLACEMENTS NOR ORIGINALS ARE ALTERED OR CHANGED. This is why we say return it to Colt's. YOUR GUN IS A COMPLEX TOOL WITH MANY PARTS THAT MUST RELATE CORRECTLY TO OTHER PARTS. PUTTING A GUN TOGETHER WRONG OR WITH MODIFIED PARTS CAN RESULT IN A DAMAGED GUN, DANGER, AND INJURY OR DEATH TO YOU AND OTHERS THROUGH MALFUNCTION. ALWAYS LET A QUALIFIED GUNSMITH WORK ON YOUR GUN AND CHECK ANY WORK YOU THINK WAS NOT PERFORMED BY A GUNSMITH. We at Colt think this is a small price to pay for firearms safety.

**SAFETY DEPENDS ON YOU**

**NOTE:** Various Federal and State laws and local ordinances govern the transfer and transportation of firearms, so take the advice of the Dealer in your state on how to send your firearm to Colt's. Before shipping your revolver, here are some important points to remember:



**1. CAUTION: MAKE SURE THAT THE REVOLVER IS NOT LOADED.**

2. Write a letter explaining the problem and your requirements in as much detail as possible. Include the model name and serial number of your revolver together with your return address, then enclose it with the empty revolver in the Colt packing case or a well padded package.

3. Do not send presentation boxes, accessories or ammunition.

4. Colt's address for receiving packages is: CMCI  
Talcott Road  
West Hartford, CT 06110

5. Do not indicate the contents, or include "COLT" in the address on the package so that an inquisitive thief is not attracted to it by such information.

6. Insure the package contents against loss or theft.

7. DO NOT ship your revolver if you cannot read its serial number. Federal law requires that serial numbers be legible for transfer to be legal. To find your serial number, swing the cylinder out and look at the frame that is now exposed.

This section is provided so that you may identify names of parts for your own interest. However, for adjustment, repair, or spare parts information, see Section 5 "Servicing and Repair."

Parts illustrations and names of parts are on the following pages.

See pages 38 and 39 for DS-II and Magnum Carry revolver (Figure 7).

See pages 40 and 41 for Anaconda revolver (Figure 8).

See pages 42 and 43 for King Cobra revolver (Figure 9).

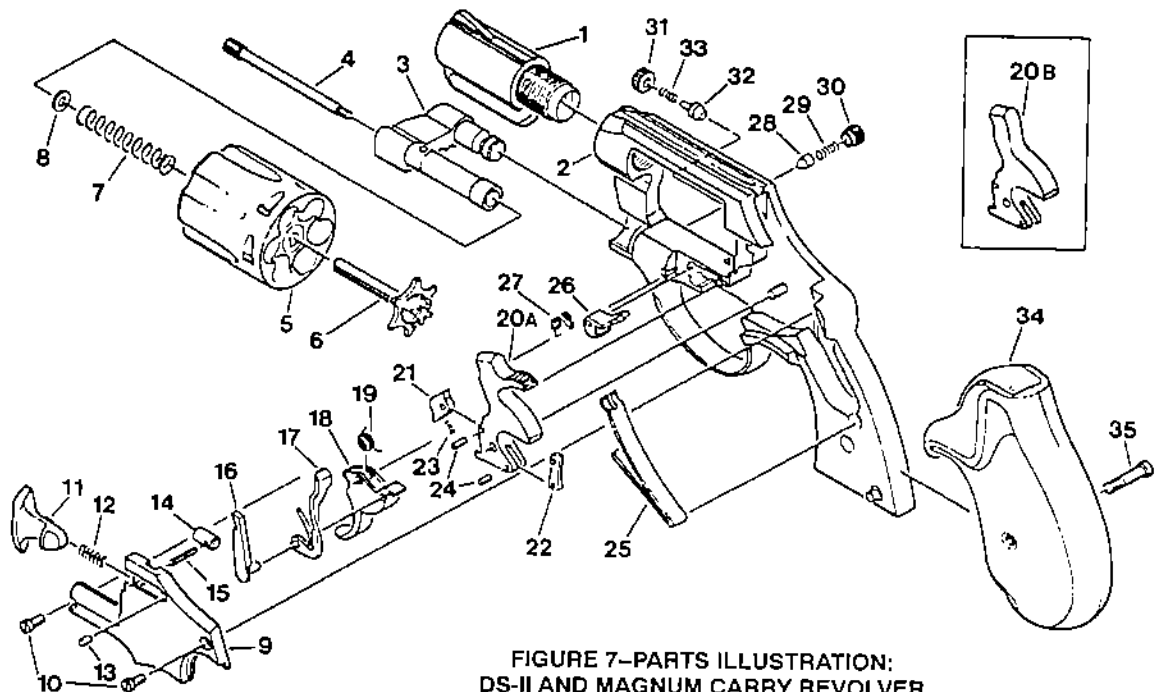


FIGURE 7-PARTS ILLUSTRATION:  
DS-II AND MAGNUM CARRY REVOLVER



## DESCRIPTION—DS-II AND MAGNUM CARRY\*(See Figure 7)

- |                           |                              |
|---------------------------|------------------------------|
| 1. Barrel                 | 19. Spring, trigger          |
| 2. Frame assembly         | 20A. Hammer                  |
| 3. Crane assembly         | 20B. Hammer, bobbed (Option) |
| 4. Rod, ejector           | 21. Strut, hammer            |
| 5. Cylinder               | 22. Stirrup, hammer          |
| 6. Ejector                | 23. Spring, strut            |
| 7. Spring, ejector        | 24. Pin (2)                  |
| 8. Washer                 | 25. Main spring              |
| 9. Side plate             | 26. Bolt                     |
| 10. Screw, side plate (2) | 27. Spring, bolt             |
| 11. Latch                 | 28. Detent, crane lock       |
| 12. Spring, latch         | 29. Spring, detent           |
| 13. Insert, latch         | 30. Screw, detent            |
| 14. Pin, latch            | 31. Recoil plate             |
| 15. Pin, spring, latch    | 32. Firing pin               |
| 16. Hand                  | 33. Spring, firing pin       |
| 17. Safety (transfer bar) | 34. Grip                     |
| 18. Trigger               | 35. Screw, grip              |

**\*Note:** Names of parts may be the same and they may look alike, but they may not be interchangeable between the DS-II and Magnum Carry revolvers.

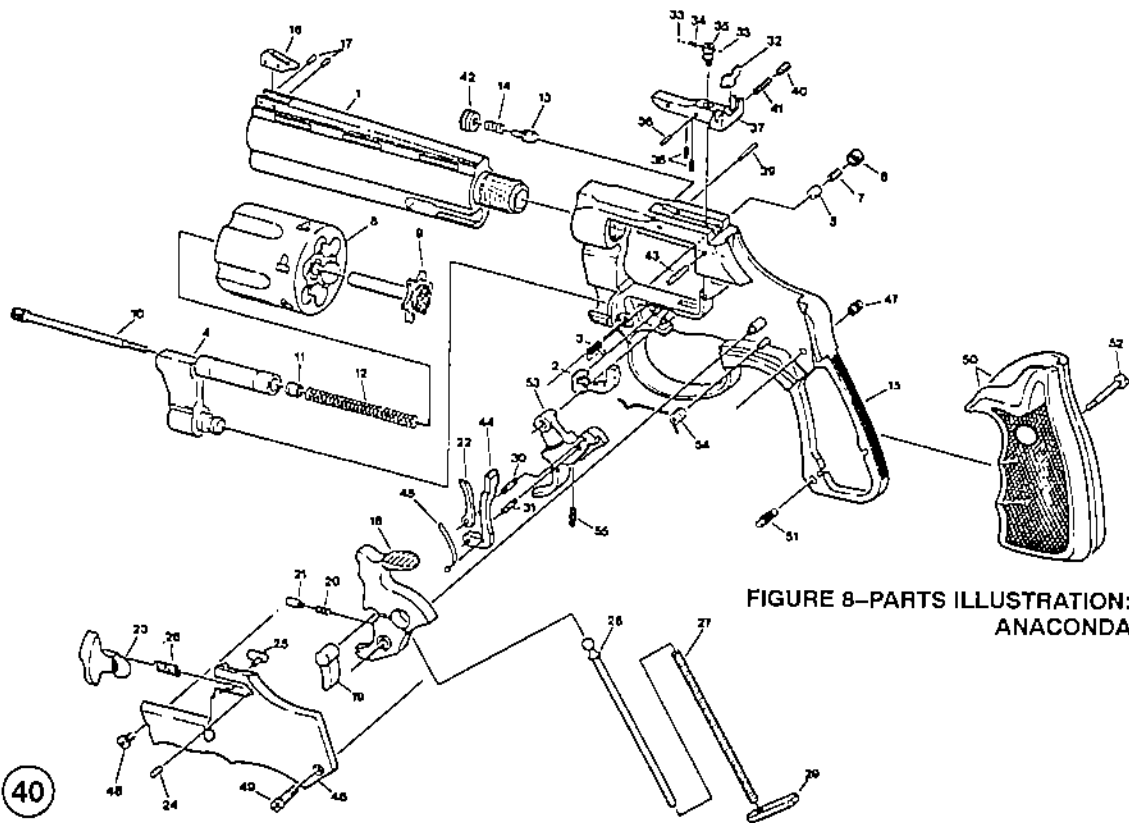


FIGURE 8—PARTS ILLUSTRATION:  
ANACONDA

## DESCRIPTION—ANACONDA (See Figure 8)

- |                                  |   |  |
|----------------------------------|---|--|
| 1. Barrel                        | 22. Hand                                    | 39. Rear sight leaf pin                |
| 2. Bolt                          | 23. Latch                                   | 40. Rear sight<br>windage screw        |
| 3. Bolt spring                   | 24. Latch insert                            | 41. Rear sight<br>windage spring       |
| 4. Crane assembly                | 25. Latch pin assembly                      | 42. Recoil plate                       |
| 5. Crane lock detent             | 26. Latch spring                            | 43. Recoil plate pin                   |
| 6. Crane lock screw              | 27. Main spring                             | 44. Safety connector                   |
| 7. Crane lock spring             | 28. Main spring guide                       | 45. Spring, safety<br>connector & hand |
| 8. Cylinder                      | 29. Main spring seat                        | 46. Side plate                         |
| 9. Ejector ratchet & stem        | 30. Pin, pivot (hand)                       | 47. Side plate nut                     |
| 10. Ejector rod                  | 31. Pin pivot (safety lever)                | 48. Side plate screw                   |
| 11. Ejector rod bushing          | 32. Rear sight blade                        | 49. Side plate &<br>stock screw        |
| 12. Ejector spring               | 33. Rear sight detent<br>ball (2)           | 50. Stock assembly                     |
| 13. Firing pin                   | 34. Rear sight detent spring                | 51. Stock pin                          |
| 14. Firing pin spring            | 35. Rear sight<br>elevation screw           | 52. Stock screw                        |
| 15. Frame detail assembly        | 36. Rear sight elevation<br>screw pin       | 53. Trigger assembly                   |
| 16. Front sight blade            | 37. Rear sight leaf                         | 54. Trigger return spring              |
| 17. Front sight blade pins (2)   | 38. Rear sight leaf<br>elevation spring (2) | 55. Trigger screw                      |
| 18. Hammer                       |   |  |
| 19. Hammer strut                 |   |  |
| 20. Hammer strut spring          |   |  |
| 21. Hammer strut<br>spring guide |   |  |

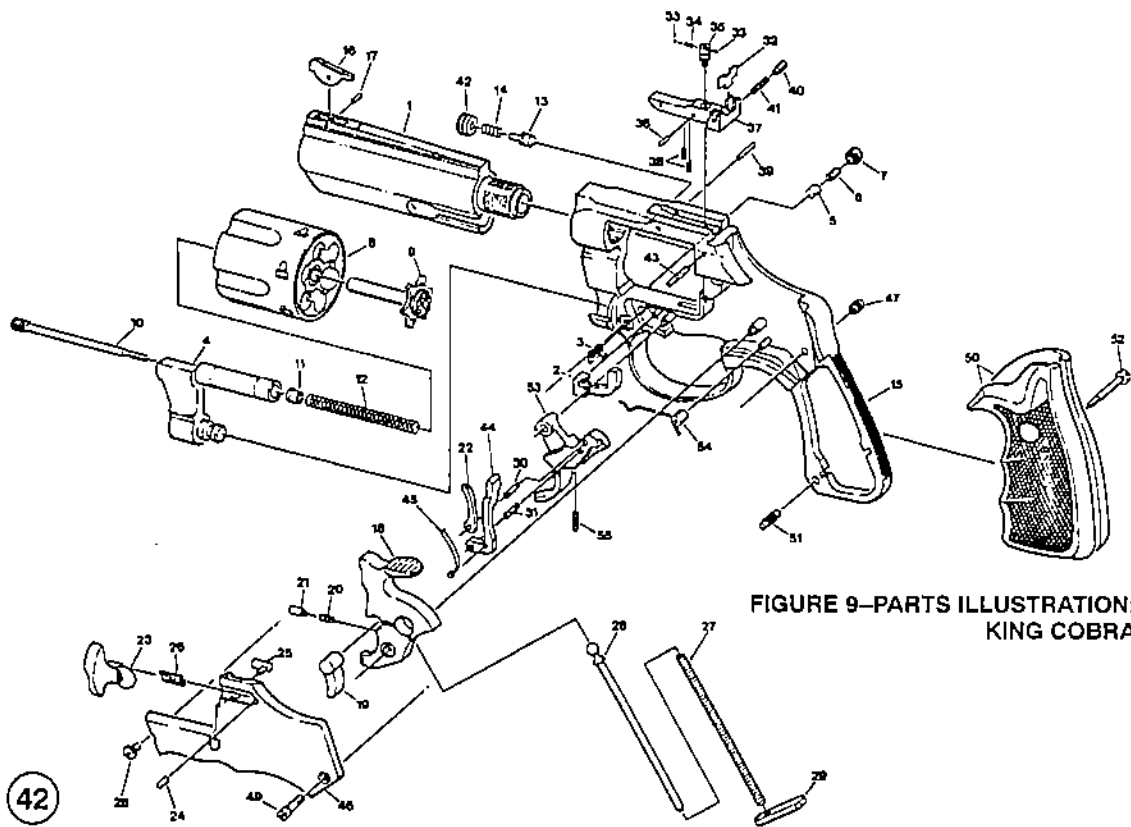


FIGURE 9—PARTS ILLUSTRATION:  
KING COBRA

## DESCRIPTION—KING COBRA (See Figure 9)

- |                                  |   |  |
|----------------------------------|---|--|
| 1. Barrel                        | 22. Hand                                    | 39. Rear sight leaf pin                |
| 2. Bolt                          | 23. Latch                                   | 40. Rear sight<br>windage screw        |
| 3. Bolt spring                   | 24. Latch insert                            | 41. Rear sight<br>windage spring       |
| 4. Crane assembly                | 25. Latch pin assembly                      | 42. Recoil plate                       |
| 5. Crane lock detent             | 26. Latch spring                            | 43. Recoil plate pin                   |
| 6. Crane lock screw              | 27. Main spring                             | 44. Safety connector                   |
| 7. Crane lock spring             | 28. Main spring guide                       | 45. Spring, safety<br>connector & hand |
| 8. Cylinder                      | 29. Main spring seat                        | 46. Side plate                         |
| 9. Ejector ratchet & stem        | 30. Pin, pivot (hand)                       | 47. Side plate nut                     |
| 10. Ejector rod                  | 31. Pin, pivot (safety lever)               | 48. Side plate screw                   |
| 11. Ejector rod bushing          | 32. Rear sight blade                        | 49. Side plate &<br>stock screw        |
| 12. Ejector spring               | 33. Rear sight detent<br>ball (2)           | 50. Stock assembly                     |
| 13. Firing pin                   | 34. Rear sight detent spring                | 51. Stock pin                          |
| 14. Firing pin spring            | 35. Rear sight<br>elevation screw           | 52. Stock screw                        |
| 15. Frame detent assembly        | 36. Rear sight elevation<br>screw pin       | 53. Trigger assembly                   |
| 16. Front sight blade            | 37. Rear sight leaf                         | 54. Trigger return spring              |
| 17. Front sight blade pin        | 38. Rear sight leaf<br>elevation spring (2) | 55. Trigger screw                      |
| 18. Hammer                       |   |  |
| 19. Hammer strut                 |   |  |
| 20. Hammer strut spring          |   |  |
| 21. Hammer strut<br>spring guide |   |  |

## **SECTION 7**

## **THE CUSTOMIZED GUN**

Our Colt Custom Shop offers a wide range of special services such as engraving, inlaying, stainless steel polishing and special serializing to the same high standard of quality long synonymous with the name "COLT". Sometimes modifications, which meet our customer's special requirements, necessitate deviations from standard designs and manufacturing tolerances which result in functional differences from a standard gun. Consequently, this instruction manual does not apply to a customized gun unless its applicability has been confirmed by the Colt Custom Shop. For further information, write to Colt Custom Shop, P.O. Box 1868, Hartford, Connecticut 06144-1868, USA.

## **FIREARM RECORD**

Colt Model \_\_\_\_\_

Serial No. \_\_\_\_\_

Caliber \_\_\_\_\_

Purchased  
from \_\_\_\_\_

Date  
Purchased \_\_\_\_\_

Purchase  
Price \_\_\_\_\_

**SAFETY DEPENDS ON YOU**

## **WARRANTY STATEMENT**

Based on Magnuson-Moss Warranty Act, Colt offers no express warranty on its product line. However, Colt recognizes its obligations concerning implied warranty. Colt also stands behind its products as it has historically, and will continue to provide service to its product line as it has over the years. Colt products will be serviced for a period of one year from the date of retail purchase, for defects in materials or workmanship, at no charge to the purchaser. Be sure to retain your sales slip as proof of purchase date when making a claim.



## **HEALTH AND ENVIRONMENTAL WARNING**

Discharging firearms in poorly ventilated areas, cleaning firearms, or handling ammunition may result in exposure to lead and other substances known to cause birth defects, reproductive harm, cancer, and other serious physical injury. Have adequate ventilation at all times. Wash hands thoroughly after exposure.

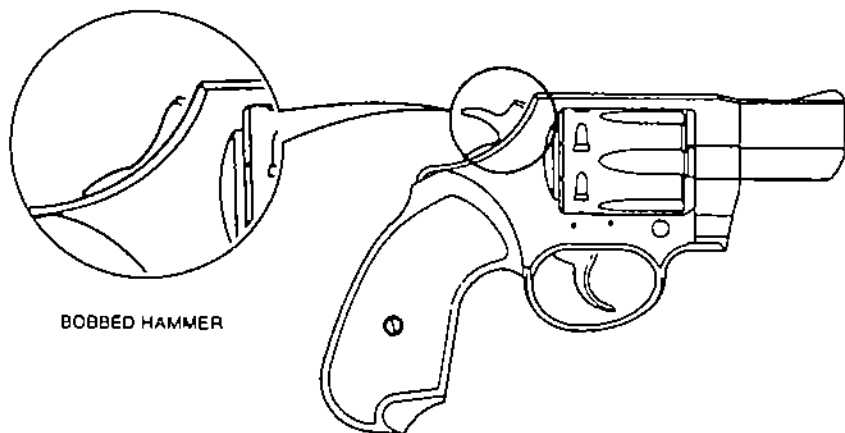


## NOTES

SAFETY DEPENDS ON YOU

## NOTES

**INFORMATION:** If your instruction manual becomes lost or destroyed, obtain a replacement by writing to **Colt's Manufacturing Company, Inc., Box 1868, Hartford, Connecticut 06144-1868, USA** or call **1-800-962 COLT**. Make a note of the address. When requesting a manual, include the information which is on the left side of your firearm together with its serial number or quote the Part No. as shown on the back cover of this manual.



BOBBED HAMMER

FIGURE 10-REVOLVER (Right Side)



, the Rampant Colt figure, DS-II™, Anaconda®, King Cobra®, Magnum Carry™ and all other Colt trademarks are the exclusive property of Colt's Manufacturing Company, Inc. For permission to reprint for noncommercial instructional purposes, prior approval from Colt's is required.

This instruction manual should always accompany this firearm. When you lend, give or sell this firearm, be sure this manual goes with it.

PRINTED IN U.S.A.

SAFETY DEPENDS ON YOU

5/00PP3M

**Avvertimento Italiano**

Se c'è qualcosa che non riuscite a capire, rivolgetevi a qualcuno che sia qualificato nel maneggiare in maniera sicura le armi da fuoco.

**Advertencia en Español**

Para cualquier aclaración de esta manual, consulte con alguna persona perita en el manejo seguro de armas de fuego.

**Message Secutaire en Francais**

Pour tous renseignements complementaires, veuillez consulter un armurier qualifie dans le maniemment de cesarmes.

**Deutsche Sicherheitshinweise**

Sollten Sie noch weitere Fragen haben, wenden Sie sich bitte an einen Waffenspezialisten.

**FUNDAMENTAL NRA RULES FOR SAFE GUN HANDLING**

- 1. ALWAYS KEEP THE GUN POINTED IN A SAFE DIRECTION.**
- 2. ALWAYS KEEP YOUR FINGERS OFF THE TRIGGER UNTIL READY TO SHOOT.**
- 3. ALWAYS KEEP THE GUN UNLOADED UNTIL READY TO USE.**