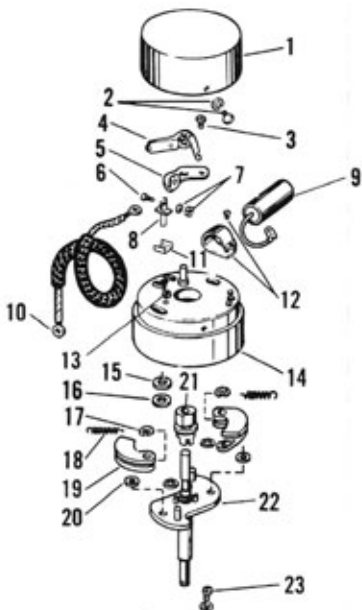


# CIRCUIT BREAKER (1966-1969)



1. Cover
2. Screw and lockwasher
3. Lock screw
4. Contact point lever
5. Contact point and support
6. Wire stud screw
7. Wire stud nut and lockwasher
8. Wire stud
9. Condenser
10. Cable
11. Wire stud insulator
12. Condenser bracket and screw
13. Eccentric screw
14. Base
15. Fiber washer
16. Washer
17. E-clip
18. Flyweight spring
19. Flyweight
20. Washer
21. Cam
22. Camshaft
23. Screw and washer
24. Stem
25. Gasket
26. Shaft washer
27. Gear
28. Gear pin
29. Nut
30. Clamp

