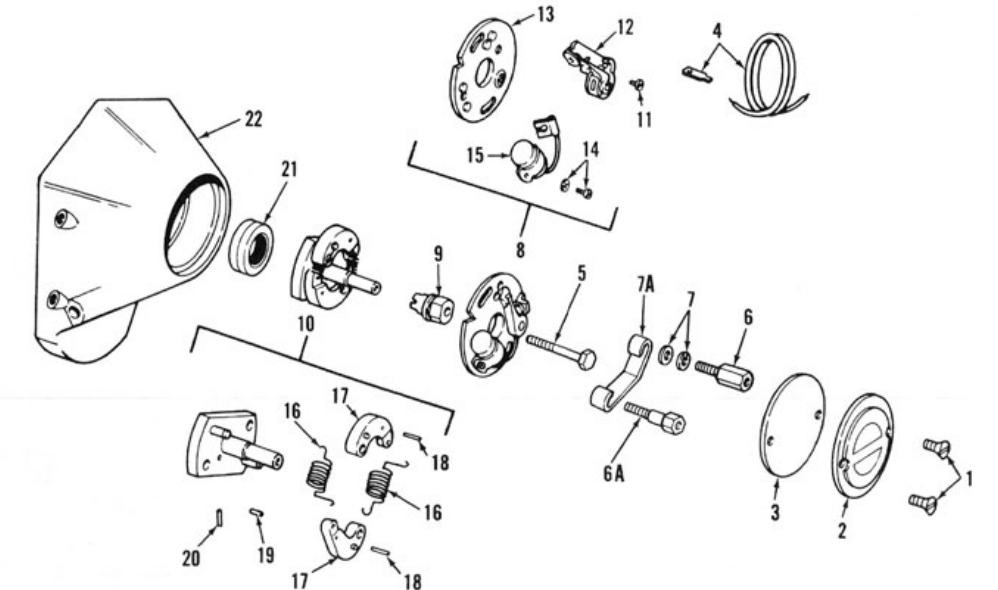


CIRCUIT BREAKER (1970-EARLY 1978)



1. Circuit breaker cover screws
2. Circuit breaker cover
3. Circuit breaker cover gasket
4. Wire terminal and wire
5. Circuit breaker cam bolt
6. Breaker plate screw (1970)
- 6A. Breaker plate screw (1971 and later)

7. Breaker plate screw lock-washer and washer
- 7A. Retainer (1971 and later)
8. Breaker plate assembly
9. Breaker cam
10. Advance assembly
11. Breaker contact screw
12. Breaker contact assembly
13. Breaker plate

14. Condenser screw and lockwasher
15. Condenser
16. Flyweight spring
17. Flyweight
18. Flyweight roll pin
19. Cam stop roll pin
20. Register roll pin
21. Camshaft seal
22. Gearcase cover

HARLEY-DAVIDSON PARTS & ACCESSORIES

Click on links below

[Harley Davidson Dyna Models Parts & Accessories](#)

[Harley Davidson Softail Parts & Accessories](#)

[Harley Davidson Sportster Parts & Accesories](#)

[Harley Davidson 500 & 750 Street Parts & Accessories](#)

[Harley Davidson Touring Models Parts & Accessories](#)

[Harley Davidson Trike Parts & Accessories](#)

[Harley Davidson V-Rod Parts & Accessories](#)

[Harley Davidson Closeout Parts & Accessories](#)

[Closeout Motorcycle Helmets](#)

[Closeout Motorcycle Jackets](#)

[Japanese Motorcycle Original Equipment Parts](#)

[Dirt Bike Parts & Accessories](#)

[Save On All Harley Motorcycle Tires](#)

[Cycle Gear – Free Shipping](#)

[Free Shipping On All Motorcycles](#)

[Discount Auto Parts – Free Shipping](#)



www.ClassicCycles.org