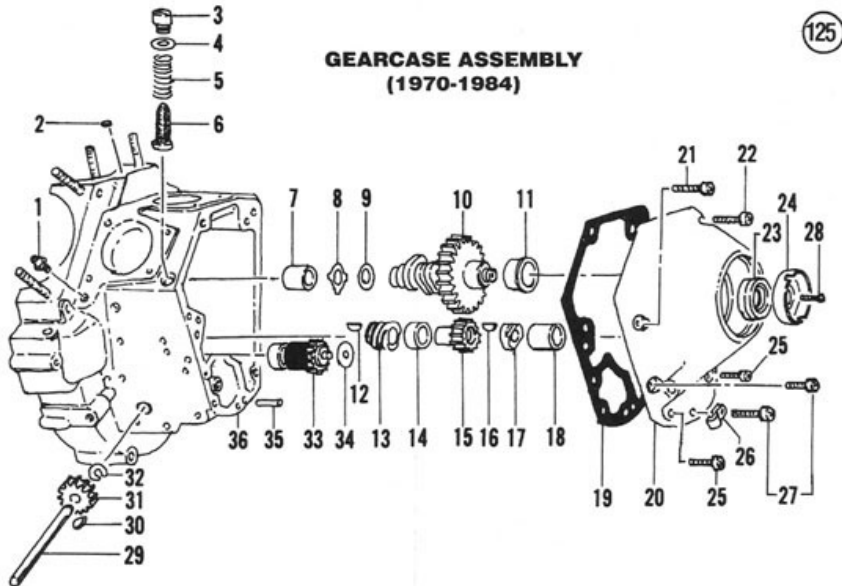


## GEARCASE ASSEMBLY (1970-1984)



- |                            |                                |                              |
|----------------------------|--------------------------------|------------------------------|
| 1. Plug                    | 13. Oil pump pinion shaft gear | 25. Screw (1 in.)            |
| 2. Plug                    | 14. Pinion gear spacer         | 26. Clip                     |
| 3. Oil screen cap          | 15. Pinion gear                | 27. Screw (1 1/4 in.)        |
| 4. O-ring                  | 16. Woodruff key               | 28. Rotor bolt               |
| 5. Spring                  | 17. Pinion shaft nut           | 29. Oil pump shaft           |
| 6. Oil screen              | 18. Pinion shaft bushing       | 30. Woodruff key             |
| 7. Camshaft needle bearing | 19. Gasket                     | 31. Oil pump drive gear      |
| 8. Cam gear thrust washer  | 20. Gearcase cover             | 32. Oil pump drive lock ring |
| 9. Cam gear spacer         | 21. Screw (1 3/4 in.)          | 33. Breather gear            |
| 10. Cam gear               | 22. Screw (1 1/4 in.)          | 34. Breather gear spacer     |
| 11. Camshaft bushing       | 23. Camshaft oil seal          | 35. Dowel                    |
| 12. Woodruff key           | 24. Rotor                      | 36. Gearcase                 |

# **HARLEY-DAVIDSON PARTS & ACCESSORIES**

*Click on links below*

*Harley Davidson Dyna Models Parts & Accessories*

*Harley Davidson Softail Parts & Accessories*

*Harley Davidson Sportster Parts & Accesories*

*Harley Davidson 500 & 750 Street Parts & Accessories*

*Harley Davidson Touring Models Parts & Accessories*

*Harley Davidson Trike Parts & Accessories*

*Harley Davidson V-Rod Parts & Accessories*

*Harley Davidson Closeout Parts & Accessories*

*Closeout Motorcycle Helmets*

*Closeout Motorcycle Jackets*

*Japanese Motorcycle Original Equipment Parts*

*Dirt Bike Parts & Accessories*

*Save On All Harley Motorcycle Tires*

*Cycle Gear – Free Shipping*

*Free Shipping On All Motorcycles*

*Discount Auto Parts – Free Shipping*



*www.ClassicCycles.org*