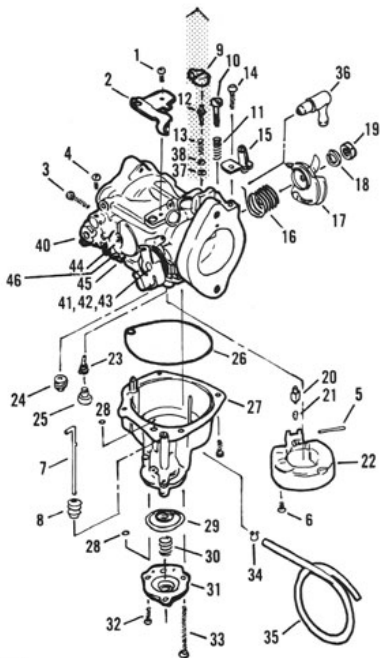


KEIHIN CARBURETOR (LATE 1978-1980)



- | | | |
|------------------------------|--------------------|-----------------------------|
| 1. Screw and washer | 17. Throttle lever | 32. Screw and washer (5) |
| 2. Bracket | 18. Washer | 33. Screw and washer |
| 3. Fast idle adjusting screw | 19. Nut | 34. Clip |
| 4. Screw | 20. Inlet valve | 35. Hose |
| 5. Float pin | 21. Clip | 36. Fitting |
| 6. Screw | 22. Float assembly | 37. O-ring |
| 7. Rod | 23. Low speed jet | 38. Washer |
| 8. Boot | 24. Main jet | 39. Choke plate (not shown) |
| 9. Limiter cap | 25. Plug | 40. Choke lever shaft |
| 10. Throttle stop screw | 26. Gasket | 41. Mounting flange |
| 11. Spring | 27. Float bowl | 42. Accelerating pump lever |
| 12. Idle mixture screw | 28. O-ring (2) | 43. Rocker arm |
| 13. Spring | 29. Diaphragm | 44. Rocker arm spring |
| 14. Screw and washer | 30. Spring | 45. Intermediate lever |
| 15. Bracket | 31. Housing | 46. Fast idle cam |
| 16. Spring | | |

HARLEY-DAVIDSON PARTS & ACCESSORIES

Click on links below

[Harley Davidson Dyna Models Parts & Accessories](#)

[Harley Davidson Softail Parts & Accessories](#)

[Harley Davidson Sportster Parts & Accesories](#)

[Harley Davidson 500 & 750 Street Parts & Accessories](#)

[Harley Davidson Touring Models Parts & Accessories](#)

[Harley Davidson Trike Parts & Accessories](#)

[Harley Davidson V-Rod Parts & Accessories](#)

[Harley Davidson Closeout Parts & Accessories](#)

[Closeout Motorcycle Helmets](#)

[Closeout Motorcycle Jackets](#)

[Japanese Motorcycle Original Equipment Parts](#)

[Dirt Bike Parts & Accessories](#)

[Save On All Harley Motorcycle Tires](#)

[Cycle Gear – Free Shipping](#)

[Free Shipping On All Motorcycles](#)

[Discount Auto Parts – Free Shipping](#)



www.ClassicCycles.org