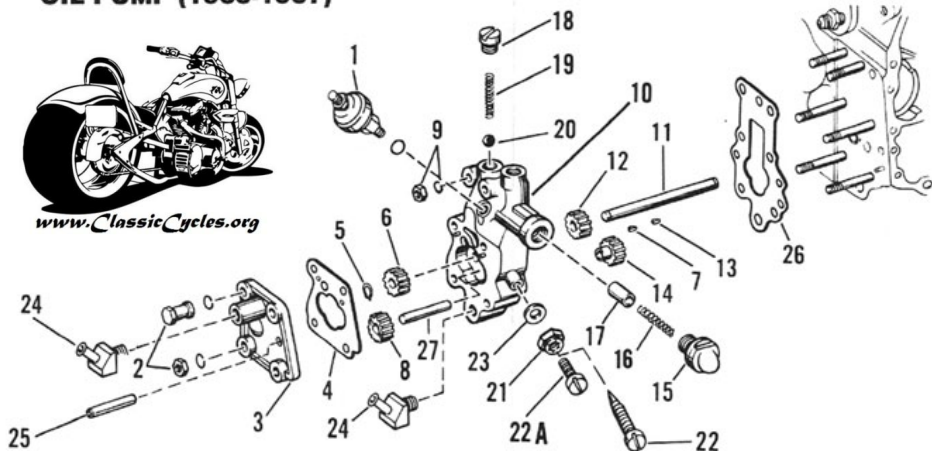


## OIL PUMP (1966-1967)



[www.ClassicCycles.org](http://www.ClassicCycles.org)



1. Oil pressure switch
2. Cover stud nut
3. Oil pump cover
4. Gasket
5. Circlip
6. Drive gear
7. Woodruff key
8. Idler gear
9. Nuts and washers
10. Oil pump body

11. Oil pump drive shaft
12. Drive gear
13. Woodruff key
14. Idler gear
15. Bypass valve plug
16. Bypass valve spring
17. Bypass valve spring plunger
18. Check valve spring cover screw

19. Check valve spring
20. Check valve ball
21. Locknut
22. Chain oiler adjusting screw
- 22A. Chain oiler screw (1966-1967)
23. Washer
24. Oil line nipple (1966-1967)
25. Chain oiler pipe
26. Body gasket
27. Idler gear shaft