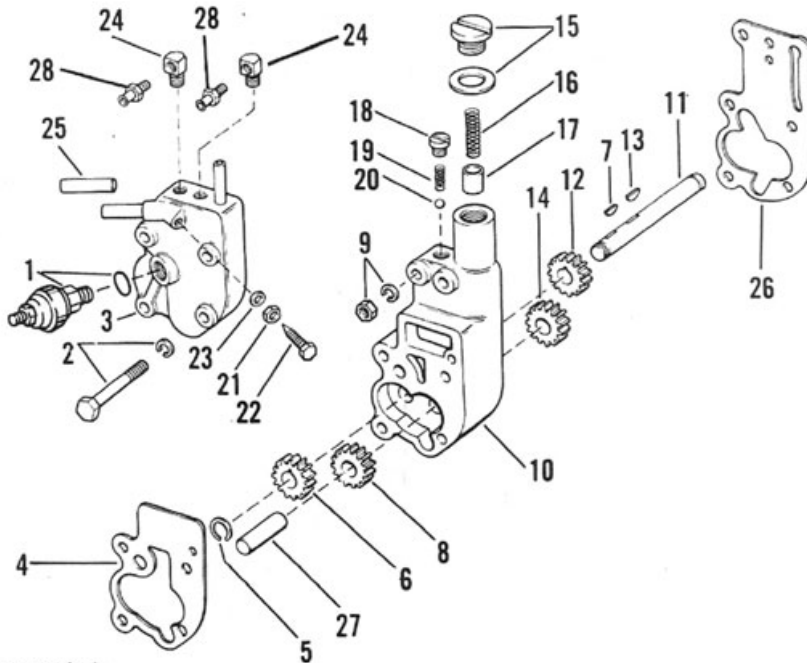


OIL PUMP (1968-1984)



1. Oil pressure switch
2. Cover stud nut
3. Oil pump cover
4. Gasket
5. Circlip
6. Drive gear
7. Woodruff key
8. Idler gear
9. Nuts and washers
10. Oil pump body
11. Oil pump drive shaft

12. Drive gear
13. Woodruff key
14. Idler gear
15. Bypass valve plug
16. Bypass valve spring
17. Bypass valve spring plunger
18. Check valve spring cover screw
19. Check valve spring

20. Check valve ball
21. Locknut
22. Chain oiler adjusting screw
23. Washer
24. Elbow
25. Chain oiler pipe
26. Body gasket
27. Idler gear shaft
28. Oil line nipple

HARLEY-DAVIDSON PARTS & ACCESSORIES

Click on links below

[Harley Davidson Dyna Models Parts & Accessories](#)

[Harley Davidson Softail Parts & Accessories](#)

[Harley Davidson Sportster Parts & Accesories](#)

[Harley Davidson 500 & 750 Street Parts & Accessories](#)

[Harley Davidson Touring Models Parts & Accessories](#)

[Harley Davidson Trike Parts & Accessories](#)

[Harley Davidson V-Rod Parts & Accessories](#)

[Harley Davidson Closeout Parts & Accessories](#)

[Closeout Motorcycle Helmets](#)

[Closeout Motorcycle Jackets](#)

[Japanese Motorcycle Original Equipment Parts](#)

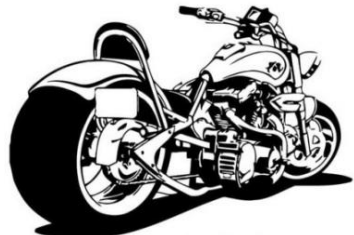
[Dirt Bike Parts & Accessories](#)

[Save On All Harley Motorcycle Tires](#)

[Cycle Gear – Free Shipping](#)

[Free Shipping On All Motorcycles](#)

[Discount Auto Parts – Free Shipping](#)



www.ClassicCycles.org