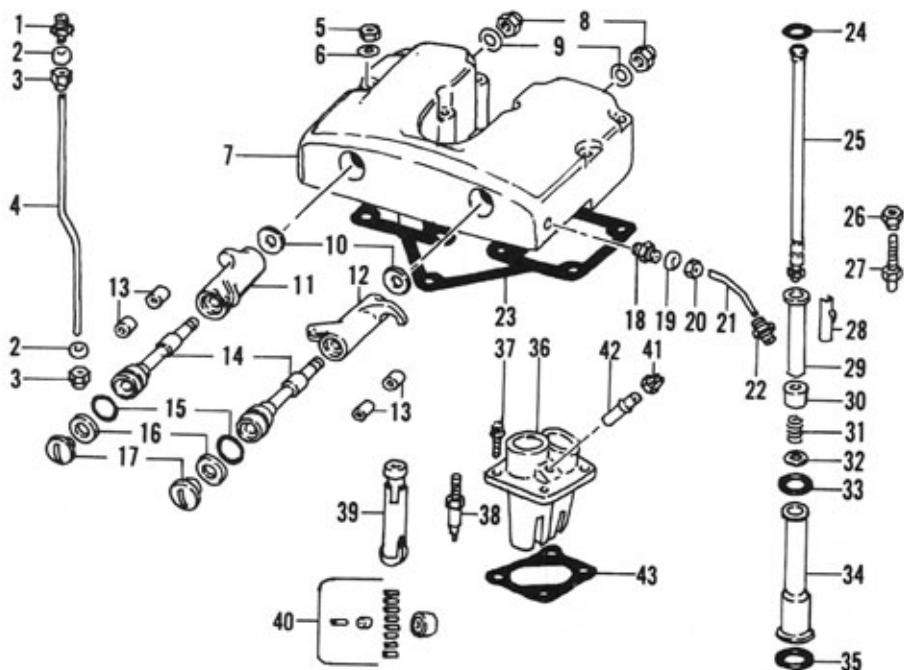


ROCKER ARM AND PUSHROD ASSEMBLY



1. Oil fitting
2. Oil line sleeve
3. Fitting
4. Oil line
5. Nut
6. Washer
7. Rocker arm cover
8. Nut
9. Washer
10. Spacer
11. Rocker arm
12. Rocker arm
13. Bushing
14. Rocker arm shaft
15. O-ring

16. Washer
17. Rocker arm shaft screw
18. Oil line fitting
19. Sleeve
20. Nut
21. Oil line
22. Oil line fitting
23. Gasket
24. O-ring
25. Pushrod
26. Nut
27. Tappet adjusting screw
28. Spring cap retainer
29. Upper pushrod cover

30. Cap
31. Spring
32. Washer
33. O-ring
34. Lower pushrod cover
35. O-ring
36. Tappet guide
37. Screw
38. Pushrod hydraulic
39. Tappet and roller
40. Tappet roller kit
41. Clamp
42. Oil fitting (1981 models)
43. Gasket

HARLEY-DAVIDSON PARTS & ACCESSORIES

Click on links below

[Harley Davidson Dyna Models Parts & Accessories](#)

[Harley Davidson Softail Parts & Accessories](#)

[Harley Davidson Sportster Parts & Accesories](#)

[Harley Davidson 500 & 750 Street Parts & Accessories](#)

[Harley Davidson Touring Models Parts & Accessories](#)

[Harley Davidson Trike Parts & Accessories](#)

[Harley Davidson V-Rod Parts & Accessories](#)

[Harley Davidson Closeout Parts & Accessories](#)

[Closeout Motorcycle Helmets](#)

[Closeout Motorcycle Jackets](#)

[Japanese Motorcycle Original Equipment Parts](#)

[Dirt Bike Parts & Accessories](#)

[Save On All Harley Motorcycle Tires](#)

[Cycle Gear – Free Shipping](#)

[Free Shipping On All Motorcycles](#)

[Discount Auto Parts – Free Shipping](#)



www.ClassicCycles.org