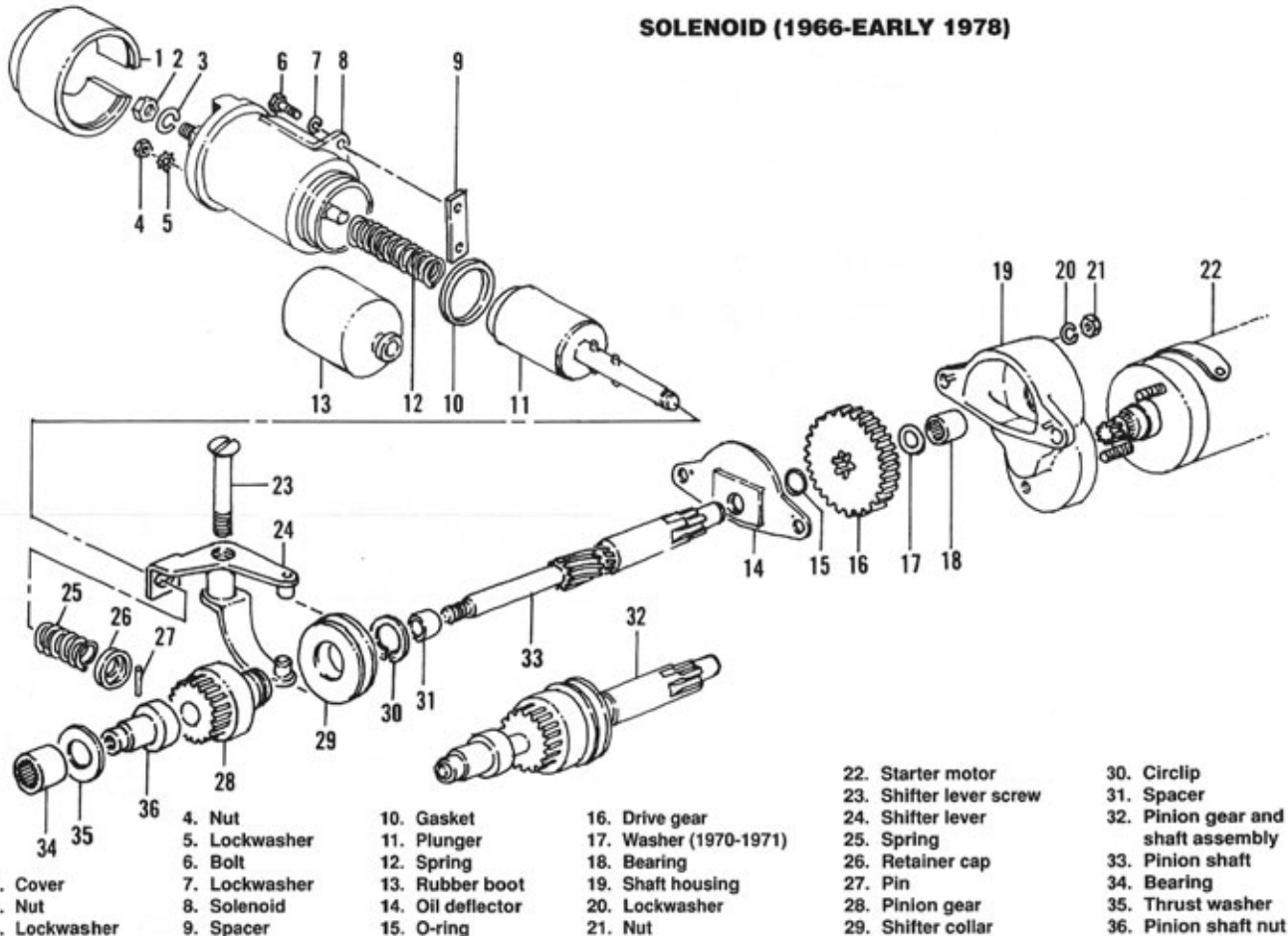


SOLENOID (1966-EARLY 1978)



- 1. Cover
- 2. Nut
- 3. Lockwasher

- 4. Nut
- 5. Lockwasher
- 6. Bolt
- 7. Lockwasher
- 8. Solenoid
- 9. Spacer

- 10. Gasket
- 11. Plunger
- 12. Spring
- 13. Rubber boot
- 14. Oil deflector
- 15. O-ring

- 16. Drive gear
- 17. Washer (1970-1971)
- 18. Bearing
- 19. Shaft housing
- 20. Lockwasher
- 21. Nut

- 22. Starter motor
- 23. Shifter lever screw
- 24. Shifter lever
- 25. Spring
- 26. Retainer cap
- 27. Pin
- 28. Pinion gear
- 29. Shifter collar

- 30. Circlip
- 31. Spacer
- 32. Pinion gear and shaft assembly
- 33. Pinion shaft
- 34. Bearing
- 35. Thrust washer
- 36. Pinion shaft nut

HARLEY-DAVIDSON PARTS & ACCESSORIES

Click on links below

[Harley Davidson Dyna Models Parts & Accessories](#)

[Harley Davidson Softail Parts & Accessories](#)

[Harley Davidson Sportster Parts & Accesories](#)

[Harley Davidson 500 & 750 Street Parts & Accessories](#)

[Harley Davidson Touring Models Parts & Accessories](#)

[Harley Davidson Trike Parts & Accessories](#)

[Harley Davidson V-Rod Parts & Accessories](#)

[Harley Davidson Closeout Parts & Accessories](#)

[Closeout Motorcycle Helmets](#)

[Closeout Motorcycle Jackets](#)

[Japanese Motorcycle Original Equipment Parts](#)

[Dirt Bike Parts & Accessories](#)

[Save On All Harley Motorcycle Tires](#)

[Cycle Gear – Free Shipping](#)

[Free Shipping On All Motorcycles](#)

[Discount Auto Parts – Free Shipping](#)



www.ClassicCycles.org