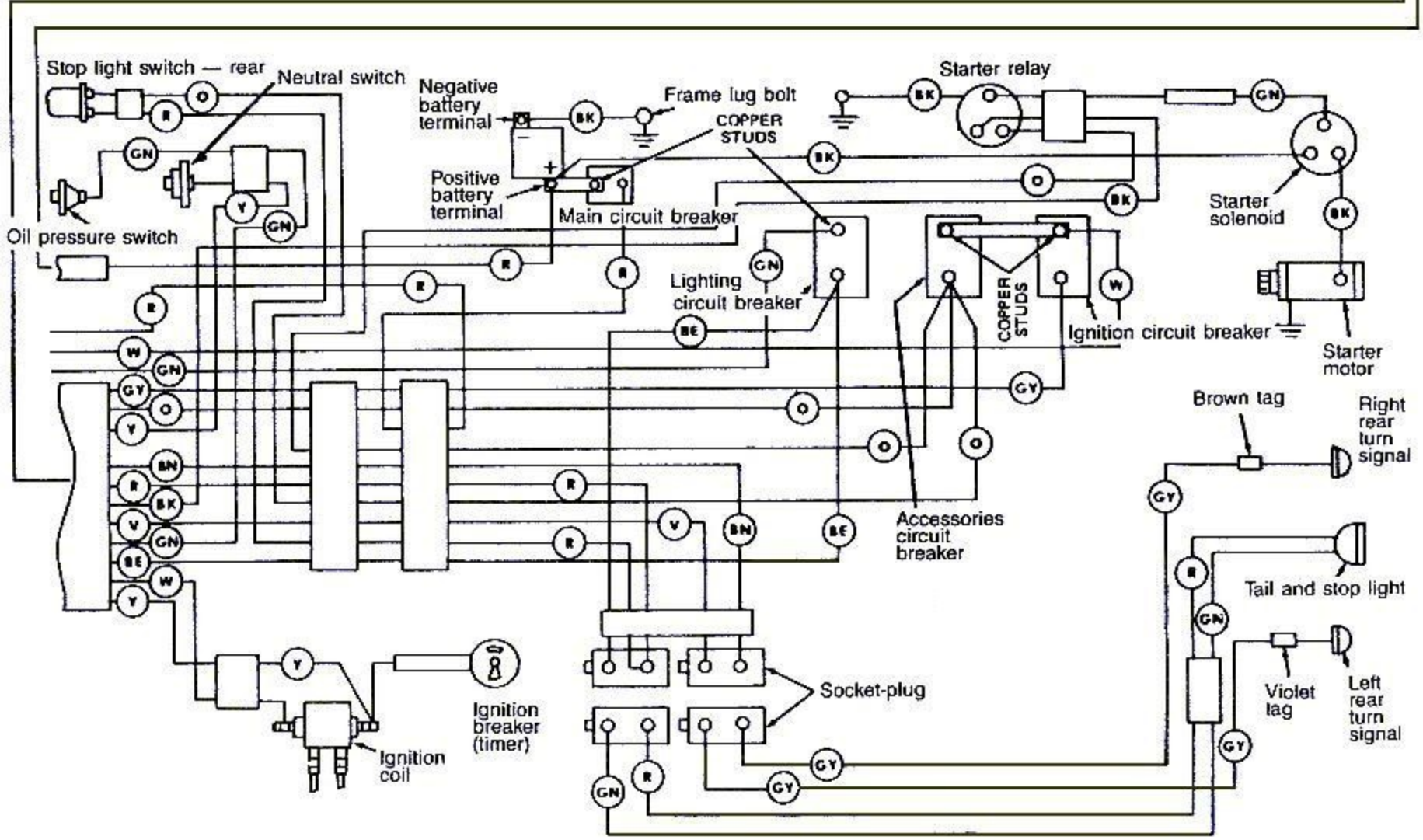
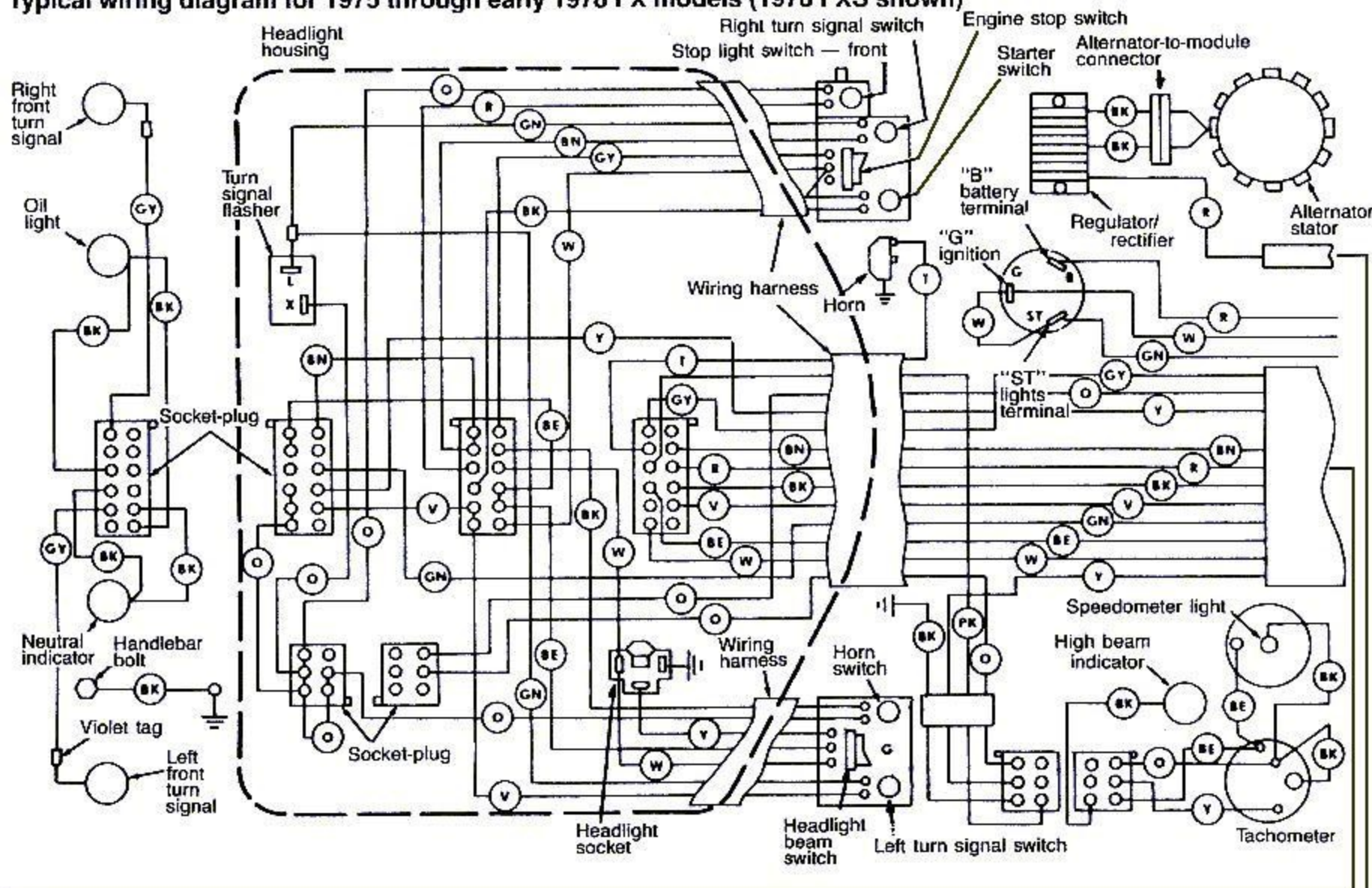


Typical wiring diagram for 1975 through early 1978 FX models (1978 FXS shown)



HARLEY-DAVIDSON PARTS & ACCESSORIES

Click on links below

[Harley Davidson Dyna Models Parts & Accessories](#)

[Harley Davidson Softail Parts & Accessories](#)

[Harley Davidson Sportster Parts & Accesories](#)

[Harley Davidson 500 & 750 Street Parts & Accessories](#)

[Harley Davidson Touring Models Parts & Accessories](#)

[Harley Davidson Trike Parts & Accessories](#)

[Harley Davidson V-Rod Parts & Accessories](#)

[Harley Davidson Closeout Parts & Accessories](#)

[Closeout Motorcycle Helmets](#)

[Closeout Motorcycle Jackets](#)

[Japanese Motorcycle Original Equipment Parts](#)

[Dirt Bike Parts & Accessories](#)

[Save On All Harley Motorcycle Tires](#)

[Cycle Gear – Free Shipping](#)

[Free Shipping On All Motorcycles](#)

[Discount Auto Parts – Free Shipping](#)



www.ClassicCycles.org