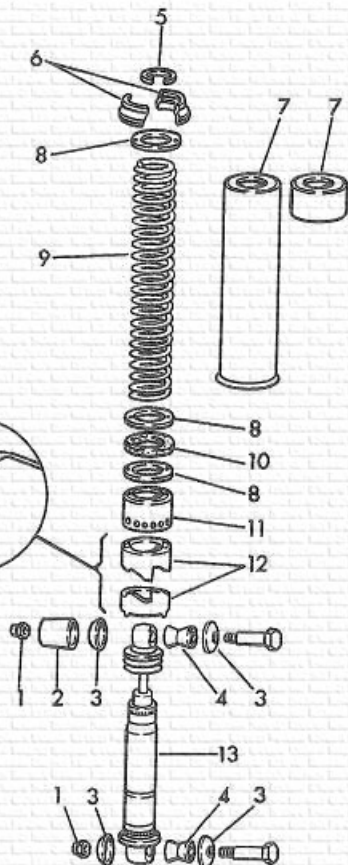


ASSEMBLE CAMS (ITEM NO. 12)
SO THAT THE HIGH LOBES (WITH
NOTCHES IN THE TIPS)
TO EACH OTHER AS SHOWN.



- | | |
|----------------------------|-------------------------|
| 1. Mounting stud nut (2) | 7A. Cover (short) |
| 2. Stud cover | 8. Washer (3) |
| 3. Cup washer (4) | 9. Spring |
| 4. Stud rubber bushing (2) | 10. Seal washer |
| 5. Retaining ring | 11. Adjusting cup |
| 6. Split key | 12. Cam (2) |
| 7. Cover (long) | 13. Shock absorber unit |

Figure following name of part indicates quantity
necessary for one complete assembly.